

RFID Coded Non Contact Type: BMF Stainless Steel 316

FEATURES:

M18 cylindrical fitting suitable for all industry applications.
 Easy to install - M18 threaded body - easy to set
 8mm typical switching distance
 Suitable for harsh environments of Food Processing and Packaging
 High specification Stainless Steel 316 with mirror polished finish.
 For use in applications up to PLe/Cat4 (EN ISO 13849-1) and SIL3 (IEC 61508)
 LED indication and Quick Connect versions available
 Can be high pressure hosed at high temperature due to IP69K rating
 2NC 1NO circuits - high switching life - no moving parts



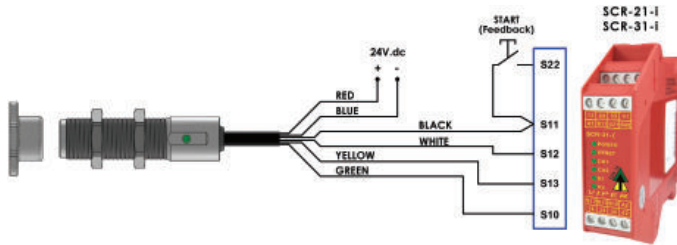
RFID Coded Actuation
Typical switching distance up to 8mm
Will operate with most Safety Relays

IP69K



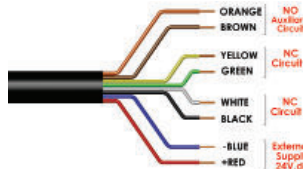
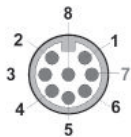
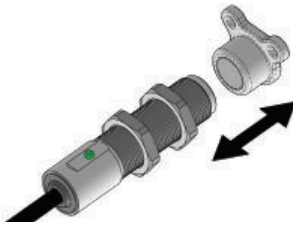
Quick Connect M12 versions fitted with 250mm (10") cable

CONNECTION EXAMPLE

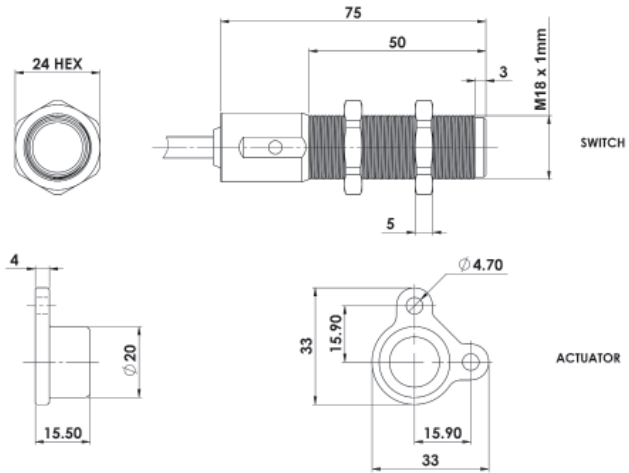


One switch connected to an SCR-21-i or SCR-31-i to give Dual Channel monitoring with manual start and contactor feedback check.

OPERATING DIRECTION:



DIMENSIONS:



Standards: ISO14119 EN60947-5-3 EN60204-1 ISO13849-1 EN62061 UL508

Safety Classification and Reliability Data:

Minimum switched current: 10V.d.c 1mA
 Dielectric Withstand: 250V.ac
 Insulation Resistance: 100 Mohms
 Recommended setting gap: 5mm
 Switching Distance:
 Sao 6mm Close
 Sar 20mm Open
 Tolerance to Misalignment: 5mm in any direction from 5mm setting gap
 Switching frequency: 1.0 Hz maximum
 Approach speed: 200mm/m to 1000mm/s
 Body material: Stainless Steel 316 (mirror polished)
 Temperature Range: -25/80C
 Enclosure Protection: IP67/IP69K
 Cable Type: PVC 8 core 6mm OD Conductors 0.25mm²

Characteristic Data according to IEC62061 (used as a sub system):

Safety Integrity Level SIL3
 PFH (1/h) 4.77E-10 Corresponds to 4.8% of SIL3
 PFD 4.18E-05 Corresponds to 4.2% of SIL3
 Proof Test Interval T₁ 20a

Characteristic Data according to EN ISO13849-1:

Performance Level e If both channels are used in combination with a SIL3/PLc control device

Category Cat4
 MTTFd 1100a
 Diagnostic Coverage DC 99% (high)
 Number of operating days per year: d_{op} = 365d
 Number of operating hours per day: h_{op} = 24h
 not mechanical parts implemented

When the product is used deviant from these assumptions (different load, operating frequency, etc.) the values have to be adjusted accordingly.

Quick Connect QC M12 8 Way Male Plug Pin view from Switch	Flying Lead Colour	Circuit (Actuator Present)	Output Types Solid State
8	Orange	Auxiliary NO	200mA Max. 24Vdc
5	Brown	Auxiliary NO	200mA Max. 24Vdc
4	Yellow	Safety NC2	200mA Max. 24Vdc
6	Green	Safety NC2	200mA Max. 24Vdc
7	Black	Safety NC1	200mA Max. 24Vdc
1	White	Safety NC1	200mA Max. 24Vdc
2	Red	Supply +24Vdc	Supply 24Vdc +/- 10%
3	Blue	Supply 0Vdc	Supply 24Vdc +/- 10%

SALES NUMBER	MASTER CODED (same code every switch)	CABLE LENGTH
414001	BMF-M-RFID	5M
414002	BMF-M-RFID	10M
414003	BMF-M-RFID	QC-M12
414200	Replacement Actuator Master Coded	

SALES NUMBER	UNIQUELY CODED (every switch unique activation)	CABLE LENGTH
414101	BMF-U-RFID	5M
414102	BMF-U-RFID	10M
414103	BMF-U-RFID	QC-M12

140101	Female QC Lead	M12 Female 5m. 8 way
140102	Female QC Lead	M12 Female 10m. 8 way

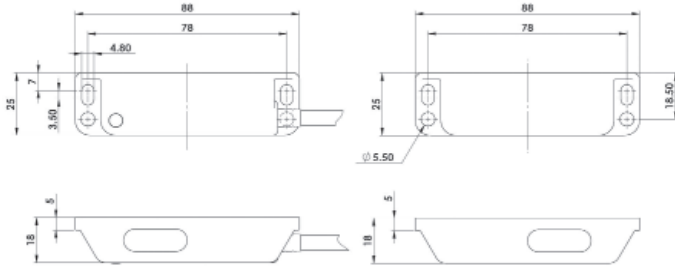
For all IDEM switches the normally closed (NC) circuits are closed when the guard is closed and the actuator is present.

RFID Coded Non Contact Type: LMF Stainless Steel 316

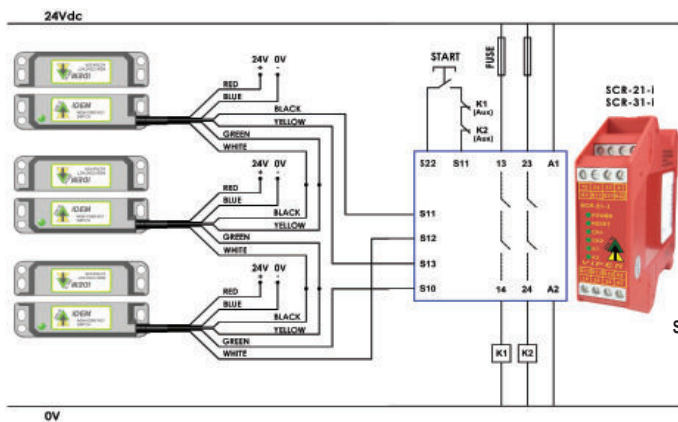
FEATURES:

- Specifically designed for Food Processing applications
- Suitable for CIP cleaning - Food Splash Zones EHEDG Guidelines
- Wide 14mm sensing with high tolerance to misalignment
- LED indication
- Can be high pressure hosed with detergent at high temperature
- Up to: PL_e ISO13849-1
- 2NC 1NO circuits - high switching life - no moving parts
- Quick Connect versions available

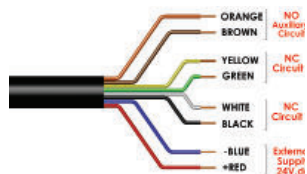
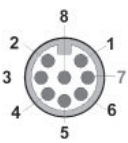
DIMENSIONS:



CONNECTION EXAMPLE



Three 2NC version switches connected in series to an SCR-21-i or SCR-31-i to give Dual Channel monitoring with Manual Start and Contactor Feedback Check



Quick Connect QC M12 8 Way Male Plug Pin view from Switch	Flying Lead Colour	Circuit (Actuator Present)	Output Types Solid State
8	Orange	Auxiliary NO	200mA Max. 24Vdc
5	Brown	Auxiliary NO	200mA Max. 24Vdc
4	Yellow	Safety NC2	200mA Max. 24Vdc
6	Green	Safety NC2	200mA Max. 24Vdc
7	Black	Safety NC1	200mA Max. 24Vdc
1	White	Safety NC1	200mA Max. 24Vdc
2	Red	Supply +24Vdc	Supply 24Vdc +/- 10%
3	Blue	Supply 0Vdc	Supply 24Vdc +/- 10%

SALES NUMBER	MASTER CODED (same code every switch)	CABLE LENGTH
406102	LMF-M-RFID	5M
406103	LMF-M-RFID	10M
406104	LMF-M-RFID	QC-M12
406201	Replacement Actuator Master Coded	

For all IDEM switches the normally closed (NC) circuits are closed when the guard is closed and the actuator is present.

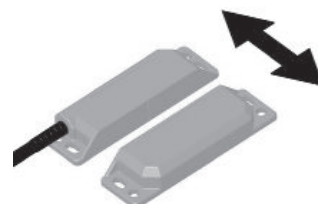


RFID Coded Actuation
Switching Tolerance up to 14mm
Will operate with most Safety Relays



Quick Connect M12 versions fitted with 250mm (10") cable

OPERATING DIRECTION:



Standards: ISO14119 EN60947-5-3 EN60204-1 ISO13849-1 EN62061 UL508

Safety Classification and Reliability Data:

- Minimum switched current: 10V.dc 1mA
- Dielectric Withstand: 250V.ac
- Insulation Resistance: 100 Mohms
- Recommended setting gap: 5mm
- Switching Distance:
 - Sao 8mm Close
 - Sar 20mm Open
- Tolerance to Misalignment: 5mm in any direction from 5mm setting gap
- Switching frequency: 1.0 Hz maximum
- Approach speed: 200mm/m to 1000mm/s
- Body material: Stainless Steel 316 (mirror polished finish)
- Temperature Range: -25/80C (105C for CIP/SIP)
- Enclosure Protection: IP67/IP69K
- Cable Type: PVC 6 or 8 core 6mm OD Conductors 0.25mm²
- Mounting Bolts: 2 x M4 Tightening torque 1.0 Nm
- Mounting Position: Any

Characteristic Data according to IEC62061 (used as a sub system):

- Safety Integrity Level: SIL3
- PFH (1/h): 4.77E-10 Corresponds to 4.8% of SIL3
- PFD: 4.18E-05 Corresponds to 4.2% of SIL3
- Proof Test Interval T₁: 20a

Characteristic Data according to EN ISO13849-1:

- Performance Level: e If both channels are used in combination with a SIL3/PL_e control device
- Category: Cat4
- MTTFd: 1100a
- Diagnostic Coverage DC: 99% (high)
- Number of operating days per year: d_{op} = 365d
- Number of operating hours per day: h_{op} = 24h
- B10d: not mechanical parts implemented

When the product is used deviant from these assumptions (different load, operating frequency, etc.) the values have to be adjusted accordingly.

SALES NUMBER	UNIQUELY CODED (every switch unique activation)	CABLE LENGTH
406002	LMF-U-RFID	5M
406003	LMF-U-RFID	10M
406004	LMF-U-RFID	QC-M12

140101	Female QC Lead	M12 Female 5m. 8 way
140102	Female QC Lead	M12 Female 10m. 8 way