

HYGIECODE - Coded Non Contact Type: CMC-F

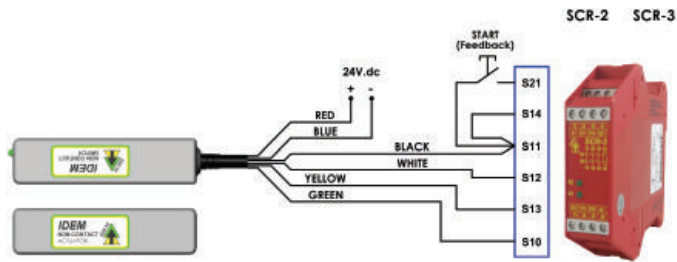
FEATURES:

- Specifically designed for Food Processing applications - Stainless Steel 316 Mirror Polished finish (Ra4)
- Suitable for CIP and SIP cleaning
- Mounting holes are at the rear therefore creating no Food Traps
- Suitable for Food Contact Zones - EHEDG guidelines
- Slim fixing can be fitted in narrow channels
- Wide 14mm sensing with high tolerance to misalignment
- Can be high pressure hosed at high temperature - IP69K
- LED indication
- Up to: PLe ISO13849-1
- 2NC 1NO circuits - high switching life - no moving parts
- Quick Connect version available

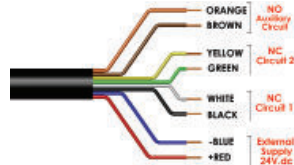
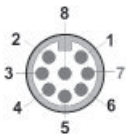


Stainless Steel 316 Housing mirror polished (Ra4)
Coded Magnetic Actuation
Switching Tolerance up to 14mm
Will operate with most Safety Relays

CONNECTION EXAMPLE: CODED SWITCHES



One switch connected to an SCR-2 or SCR-3 to give Dual Channel monitoring with Manual Start.



Quick Connect QC M12 8 Way Male Plug Pin view from Switch	Flying Lead Colour	Circuit (Actuator Present)	Output Types Solid State
8	Orange	Auxiliary NO or NC	200mA Max. 24Vdc
5	Brown	Auxiliary NO or NC	
4	Yellow	Safety NC2	200mA Max. 24Vdc
6	Green	Safety NC2	
7	Black	Safety NC1	200mA Max. 24Vdc
1	White	Safety NC1	
2	Red	Supply +24Vdc	Supply 24Vdc +/- 10%
3	Blue	Supply 0Vdc	

Standards: ISO14119) EN60947-5-3
 EN62024-1 ISO13849-1 EN62061 UL508

Safety Classification and Reliability Data:

ISO13849-1	Up to PLe Category 4
PFHd	2.6×10^{-10}
Proof Test Interval (Life)	20 years
MTTFd	866 years
Safety Channel 1 NC	24Vdc 0.2A Max. Rating
Safety Channel 2 NC	24Vdc 0.2A Max. Rating
Safety Channel 3 NO	24Vdc 0.2A Max. Rating
Minimum Switched Current	10Vdc 1mA
Dielectric Withstand	250Vac
Insulation Resistance	100 Mohms
Recommended Setting Gap	5mm
Switching Distance (Target to Target)	Sao 10mm Close Sar 20mm Open
Tolerance to Misalignment	5mm in any direction from 5mm setting gap
Switching Frequency	1.0Hz maximum
Approach Speed	200mm/min to 1000mm/sec
Body Material	Stainless Steel 316 mirror polished finish to Ra4
Operating Temperature	-25C +105C (CIP SIP cleaning)
Enclosure Protection	IP69K IP67
Shock Resistance	IEC68-2-27 11ms 30g
Vibration Resistance	IEC68-2-6 10-55Hz 1mm
Cable Type	PVC 6 or 8 core 6mm OD Conductors 0.25mm ²
Mounting Bolts	2xM4 Tightening torque 1.0Nm
Mounting Position	Any

For all IDEM switches the normally closed (NC) circuits are closed when the guard is closed and the actuator is present.

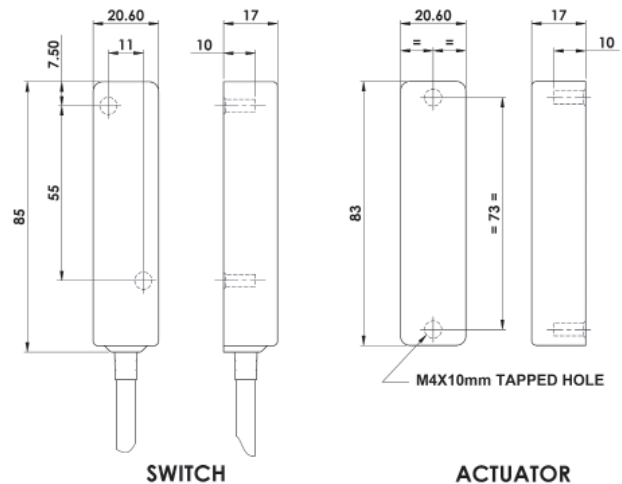


Quick Connect M12 versions fitted with 250mm (10") cable



140101	Female QC Lead	M12 Female 5m. 8 way
140102	Female QC Lead	M12 Female 10m. 8 way

DIMENSIONS:



SALES NUMBER	TYPE	CABLE LENGTH	CIRCUITS
135001	Hygiecode CMC-F	2M	2NC
135002	Hygiecode CMC-F	5M	2NC
135003	Hygiecode CMC-F	10M	2NC
135004	Hygiecode CMC-F	QC-M12	2NC
135005	Hygiecode CMC-F	2M	2NC 1NO
135006	Hygiecode CMC-F	5M	2NC 1NO
135007	Hygiecode CMC-F	10M	2NC 1NO
135008	Hygiecode CMC-F	QC-M12	2NC 1NO
135105	Hygiecode CMC-F	2M	3NC
135106	Hygiecode CMC-F	5M	3NC
135107	Hygiecode CMC-F	10M	3NC
135108	Hygiecode CMC-F	QC-M12	3NC

Note: 2NC 1NO versions have 2NC Safety and 1NO Auxiliary Circuits
 3NC versions have 2NC Safety and 1NC Auxiliary Circuits
AVAILABLE WITHOUT LED IF REQUIRED.

HYGIECODE - Coded Non Contact Type: CMC

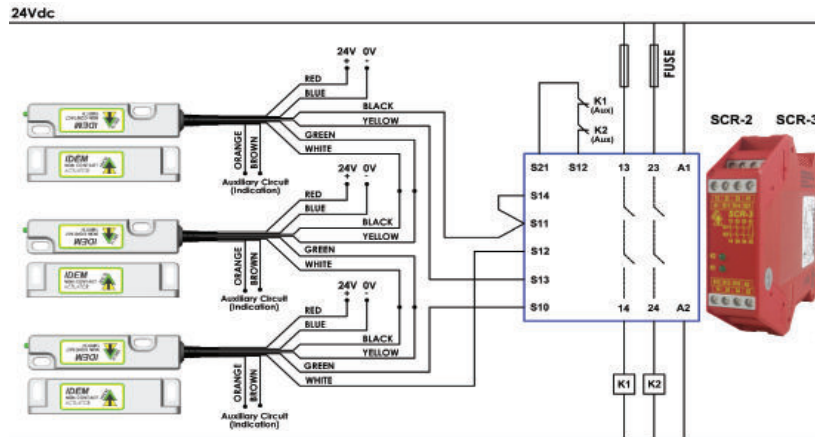
FEATURES:

Designed for Food Processing and Pharmaceutical applications
 Suitable for CIP and SIP cleaning -
 Food Splash Zones EHEDG guidelines
 Wide 14mm sensing with high tolerance to misalignment
 Industry standard slim 20mm wide housing - fits in narrow channels
 Can be high pressure hosed at high temperature - IP69K
 LED indication
 Up to: PLe ISO13849-1
 2NC 1NO circuits - high switching life - no moving parts

Stainless Steel 316 Housing mirror polished (Ra4)
Coded Magnetic Actuation
Switching Tolerance up to 14mm
Will operate with most Safety Relays



CONNECTION EXAMPLE: CODED SWITCHES



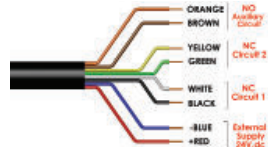
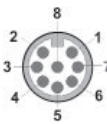
Three switches connected in series to an SCR-2 or SCR-3 to give Dual Channel monitoring with Auto Start and Contactor Feedback Check. Optional auxiliary circuits provide for remove signalling from each switch.



Quick Connect M12 versions fitted with 250mm (10") cable



140101	Female QC Lead	M12 Female 5m. 8 way
140102	Female QC Lead	M12 Female 10m. 8 way



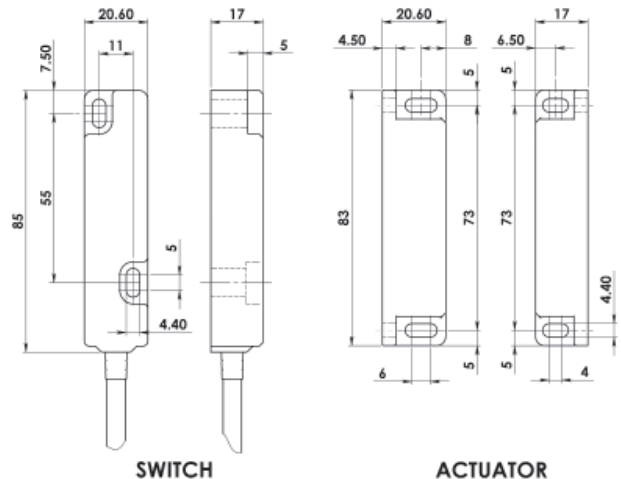
Quick Connect QC M12 8 Way Male Plug Pin view from Switch	Flying Lead Colour	Circuit (Actuator Present)	Output Types Solid State
8	Orange	Auxiliary NO or NC	200mA Max. 24Vdc
5	Brown	Auxiliary NO or NC	200mA Max. 24Vdc
4	Yellow	Safety NC2 +ve	200mA Max. 24Vdc
6	Green	Safety NC2 -ve	200mA Max. 24Vdc
7	Black	Safety NC1 +ve	200mA Max. 24Vdc
1	White	Safety NC1 -ve	200mA Max. 24Vdc
2	Red	Supply +24Vdc	Supply 24Vdc +/- 10%
3	Blue	Supply 0Vdc	Supply 24Vdc +/- 10%

Standards: ISO14119 EN60947-5-3
 EN60204-1 ISO13849-1 EN62061 UL508

Safety Classification and Reliability Data:

ISO13849-1	Up to PLe Category 4
PFHd	2.6 x 10 ⁻¹⁰
Proof Test Interval (Life)	20 years
MTTFd	866 years
Safety Channel 1 NC	24Vdc 0.2A Max. Rating
Safety Channel 2 NC	24Vdc 0.2A Max. Rating
Safety Channel 3 NO	24Vdc 0.2A Max. Rating
Minimum Switched Current	10Vdc 1mA
Dielectric Withstand	250Vac
Insulation Resistance	100 Mohms
Recommended Setting Gap	5mm
Switching Distance (Target to Target)	Sao 10mm Close Sar 20mm Open
Tolerance to Misalignment	5mm in any direction from 5mm setting gap
Switching Frequency	1.0Hz maximum
Approach Speed	200mm/min to 1000mm/sec
Body Material	Stainless Steel 316 mirror polished finish to Ra4
Operating Temperature	-25C +105C (CIP SIP cleaning)
Enclosure Protection	IP69K IP67
Shock Resistance	IEC68-2-27 11ms 30g
Vibration Resistance	IEC68-2-6 10-55Hz 1mm
Cable Type	PVC 6 or 8 core 6mm OD Conductors 0.25mm ²
Mounting Bolts	2xM4 Tightening torque 1.0Nm
Mounting Position	Any

DIMENSIONS:



SALES NUMBER	TYPE	CABLE LENGTH	CIRCUITS
138001	Hygiecode CMC	2M	2NC
138002	Hygiecode CMC	5M	2NC
138003	Hygiecode CMC	10M	2NC
138004	Hygiecode CMC	QC-M12	2NC
138005	Hygiecode CMC	2M	2NC 1NO
138006	Hygiecode CMC	5M	2NC 1NO
138007	Hygiecode CMC	10M	2NC 1NO
138008	Hygiecode CMC	QC-M12	2NC 1NO
138105	Hygiecode CMC	2M	3NC
138106	Hygiecode CMC	5M	3NC
138107	Hygiecode CMC	10M	3NC
138108	Hygiecode CMC	QC-M12	3NC

For all IDEM switches the normally closed (NC) circuits are closed when the guard is closed and the actuator is present.

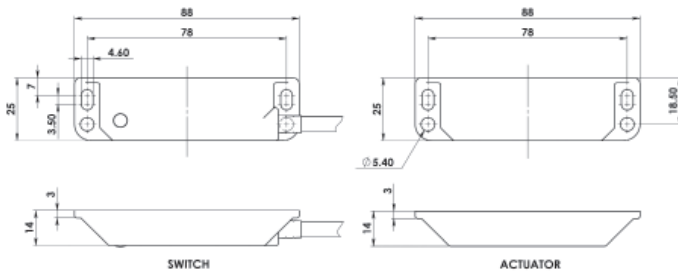
Note: 2NC 1NO versions have 2NC Safety and 1NO Auxiliary Circuits
 3NC versions have 2NC Safety and 1NC Auxiliary Circuits
AVAILABLE WITHOUT LED IF REQUIRED.

HYGIECODE - Coded Non Contact Type: LMC

FEATURES:

- Specifically designed for Food Processing applications
- Suitable for CIP cleaning - Food Splash Zones EHEDG Guidelines
- Wide 14mm sensing with high tolerance to misalignment
- LED indication
- Can be high pressure hosed with detergent at high temperature
- Magnetic holding option available for use with small guards
- Up to: PLe ISO13849-1
- 2NC 1NO circuits - high switching life - no moving parts
- Quick Connect versions available

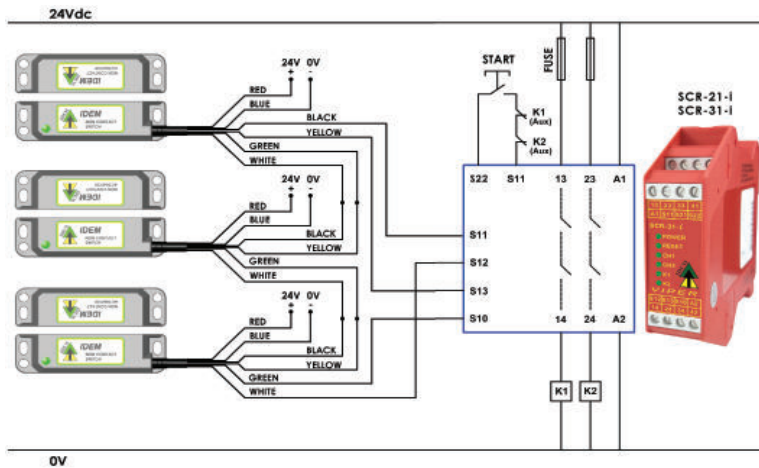
DIMENSIONS:



Stainless Steel 316 Housing mirror polished (Ra4)
Coded Magnetic Actuation
Switching Tolerance up to 14mm
Will operate with most Safety Relays



CONNECTION EXAMPLE: CODED SWITCHES



Three 2NC version switches connected in series to an SCR-21-i or SCR-31-i to give Dual Channel monitoring with Manual Start and Contactor Feedback Check

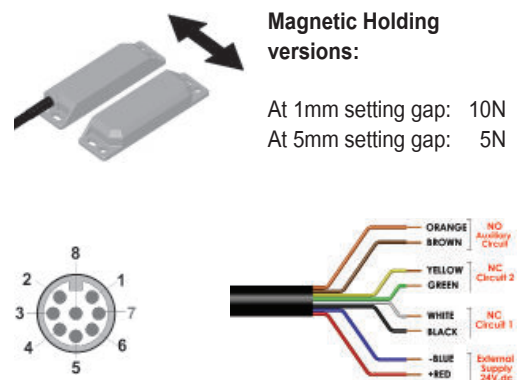
	140101	Female QC Lead	M12 Female 5m. 8 way
	140102	Female QC Lead	M12 Female 10m. 8 way

Standards: ISO14119 EN60947-5-3
 EN60204-1 ISO13849-1 EN62061 UL508

Safety Classification and Reliability Data:

ISO13849-1	Up to PLe Category 4
PFHd	2.6×10^{-10}
Proof Test Interval (Life)	20 years
MTTFd	866 years
Safety Channel 1 NC	24Vdc 0.2A Max. Rating
Safety Channel 2 NC	24Vdc 0.2A Max. Rating
Safety Channel 3 NO	24Vdc 0.2A Max. Rating
Minimum Switched Current	10Vdc 1mA
Dielectric Withstand	250Vac
Insulation Resistance	100 Mohms
Recommended Setting Gap	5mm
Switching Distance	Sao 10mm Close
(Target to Target)	Sar 20mm Open
Tolerance to Misalignment	5mm in any direction from 5mm setting gap
Switching Frequency	1.0Hz maximum
Approach Speed	200mm/min to 1000mm/sec
Body Material	Stainless Steel 316 mirror polished finish to Ra4
Operating Temperature	-25C +105C (CIP SIP cleaning)
Enclosure Protection	IP69K IP67
Shock Resistance	IEC68-2-27 11ms 30g
Vibration Resistance	IEC68-2-6 10-55Hz 1mm
Cable Type	PVC 6 or 8 core 6mm OD Conductors 0.25mm ²
Mounting Bolts	2xM4 Tightening torque 1.0Nm
Mounting Position	Any

For all IDEM switches the normally closed (NC) circuits are closed when the guard is closed and the actuator is present.



Magnetic Holding versions:

At 1mm setting gap: 10N
 At 5mm setting gap: 5N

Quick Connect QC M12 8 Way Male Plug Pin view from Switch	Flying Lead Colour	Circuit (Actuator Present)	Output Types Solid State
8	Orange	Auxiliary NO or NC	200mA Max. 24Vdc
5	Brown	Auxiliary NO or NC	200mA Max. 24Vdc
4	Yellow	Safety NC2	200mA Max. 24Vdc
6	Green	Safety NC1	200mA Max. 24Vdc
7	Black	Safety NC1	200mA Max. 24Vdc
1	White	Safety NC1	200mA Max. 24Vdc
2	Red	Supply +24Vdc	Supply 24Vdc +/- 10%
3	Blue	Supply 0Vdc	Supply 24Vdc +/- 10%

SALES NUMBER	TYPE	CABLE LENGTH	CIRCUITS
133001	Hygiecode LMC	2M	2NC
133002	Hygiecode LMC	5M	2NC
133003	Hygiecode LMC	10M	2NC
133004	Hygiecode LMC	QC-M12	2NC
133005	Hygiecode LMC	2M	2NC 1NO
133006	Hygiecode LMC	5M	2NC 1NO
133007	Hygiecode LMC	10M	2NC 1NO
133008	Hygiecode LMC	QC-M12	2NC 1NO
133017	Hygiecode LMC	2M	3NC
133018	Hygiecode LMC	5M	3NC
133019	Hygiecode LMC	10M	3NC
133020	Hygiecode LMC	QC-M12	3NC

For Magnetic Holding versions add 10N to Sales Number
 Example: LMC 2NC 10m with Magnetic Holding Order: 133003-10N

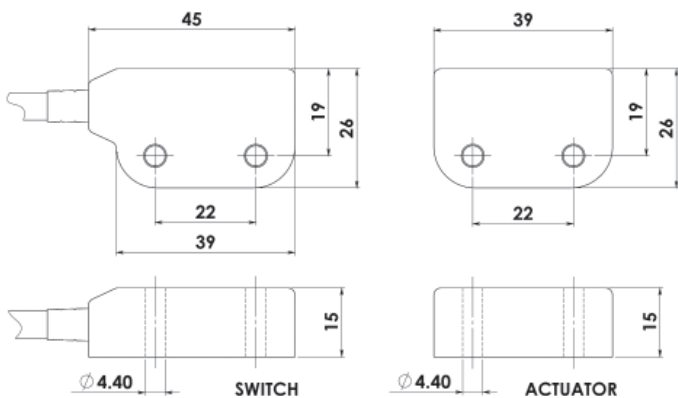
Note: 2NC 1NO versions have 2NC Safety and 1NO Auxiliary Circuits
 3NC versions have 2NC Safety and 1NC Auxiliary Circuits
AVAILABLE WITHOUT LED IF REQUIRED.

HYGIECODE - Coded Non Contact Type: MMC-H

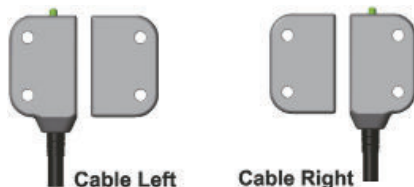
FEATURES:


- Compact and robust fitting suitable for all small guard applications
- Through hole fixing to enable front mounting
- No food trap areas
- Suitable for CIP SIP cleaning -
 - Food Contact or Splash Zones EHEDG guidelines
- LED indication
- Cost-effective interlock solution
- Wide sensing at 10mm
- Can be mounted unobtrusively in channels or behind doors
- Left or right cable exit options available
- Up to: PLe ISO13849-1
- 2NC 1NO circuits - high switching life - no moving parts
- Stainless Steel 316 housing - mirror polished finished to Ra4

DIMENSIONS:



Left or Right Cable Exit Options available



	140101	Female QC Lead	M12 Female 5m. 8 way
	140102	Female QC Lead	M12 Female 10m. 8 way

Standards: ISO14119 EN60947-5-3
EN60204-1 ISO13849-1 EN62061 UL508

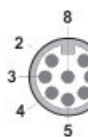
Safety Classification and Reliability Data:

ISO13849-1	Up to PLe Category 4
PFHd	2.6×10^{-10}
Proof Test Interval (Life)	20 years
MTTFd	866 years
Safety Channel 1 NC	24Vdc 0.2A Max. Rating
Safety Channel 2 NC	24Vdc 0.2A Max. Rating
Safety Channel 3 NO	24Vdc 0.2A Max. Rating
Minimum Switched Current	10Vdc 1mA
Dielectric Withstand	250Vac
Insulation Resistance	100 Mohms
Recommended Setting Gap	5mm
Switching Distance (Target to Target)	Sao 8mm Close Sar 12mm Open
Tolerance to Misalignment	5mm in any direction from 5mm setting gap
Switching Frequency	1.0Hz maximum
Approach Speed	200mm/min to 1000mm/sec
Body Material	Stainless Steel 316 Mirror Polished Finish (Ra4)
Operating Temperature	-25C +105C (CIP SIP cleaning)
Enclosure Protection	IP69K IP67
Shock Resistance	IEC68-2-27 11ms 30g
Vibration Resistance	IEC68-2-6 10-55Hz 1mm
Cable Type	PVC 6 or 8 core 6mm OD Conductors 0.25mm ²
Mounting Bolts	2xM4 Tightening torque 1.0Nm
Mounting Position	Any

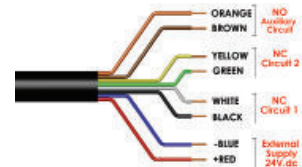
For all IDEM switches the normally closed (NC) circuits are closed when the guard is closed and the actuator is present.



Stainless Steel 316 Housing mirror polished (Ra4)
Coded Magnetic Actuation
Switching Tolerance up to 10mm
Will operate with most Safety Relays



Quick Connect M12 versions fitted with 250mm (10") cable



Quick Connect QC M12 8 Way Male Plug Pin view from Switch	Flying Lead Colour	Circuit (Actuator Present)	Output Types Solid State
8	Orange	Auxiliary NO or NC	200mA Max. 24Vdc
5	Brown	Auxiliary NO or NC	
4	Yellow	Safety NC2	200mA Max. 24Vdc
6	Green	Safety NC2	
7	Black	Safety NC1	200mA Max. 24Vdc
1	White	Safety NC1	
2	Red	Supply +24Vdc	Supply 24Vdc +/- 10%
3	Blue	Supply 0Vdc	

SALES NUMBER	TYPE	CABLE LENGTH	CIRCUITS
131101	MMC-H Cable Right	2M	2NC
131102	MMC-H Cable Right	5M	2NC
131103	MMC-H Cable Right	10M	2NC
131104	MMC-H Cable Right	QC-M12*	2NC
131105	MMC-H Cable Right	2M	2NC 1NO
131106	MMC-H Cable Right	5M	2NC 1NO
131107	MMC-H Cable Right	10M	2NC 1NO
131108	MMC-H Cable Right	QC-M12*	2NC 1NO
131109	MMC-H Cable Right	2M	3NC
131110	MMC-H Cable Right	5M	3NC
131111	MMC-H Cable Right	10M	3NC
131112	MMC-H Cable Right	QC-M12*	3NC
131113	MMC-H Cable Left	2M	2NC
131114	MMC-H Cable Left	5M	2NC
131115	MMC-H Cable Left	10M	2NC
131116	MMC-H Cable Left	QC-M12*	2NC
131117	MMC-H Cable Left	2M	2NC 1NO
131118	MMC-H Cable Left	5M	2NC 1NO
131119	MMC-H Cable Left	10M	2NC 1NO
131120	MMC-H Cable Left	QC-M12*	2NC 1NO
131121	MMC-H Cable Left	2M	3NC
131122	MMC-H Cable Left	5M	3NC
131123	MMC-H Cable Left	10M	3NC
131124	MMC-H Cable Left	QC-M12*	3NC

*Other QC (Quick Connect) sizes available upon request.

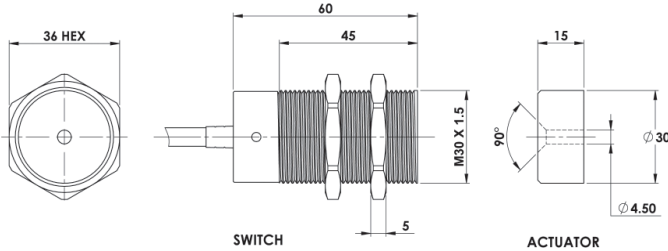
Note: 2NC 1NO versions have 2NC Safety and 1NO Auxiliary Circuits
 3NC versions have 2NC Safety and 1NC Auxiliary Circuits
AVAILABLE WITHOUT LED IF REQUIRED.

HYGIECODE - Coded Non Contact Type: RMC

FEATURES:

Cylindrical fitting - suitable for industry applications
 Easy to install - M30 threaded body - easy to set
 Wide 10mm sensing - low hysteresis - no moving parts
 Suitable for harsh environments of Food Processing and Packaging
 CIP and SIP cleaning - Food Splash Zones EHEDG guidelines
 Can be flush mounted - Solid Stainless Steel 316 housing
 LED indication
 Can be high pressure hosed at high temperature - IP69K
 Up to: PLe ISO13849-1
 2NC 1NO circuits - high switching life - no moving parts
 Quick Connect versions available

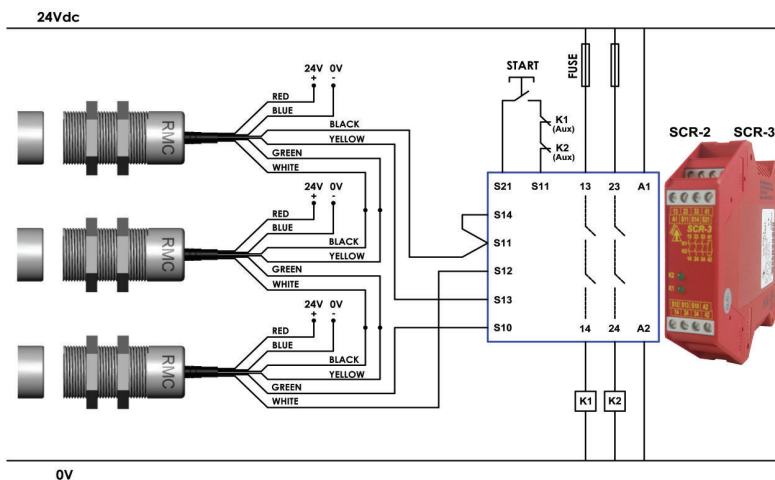
DIMENSIONS:



Stainless Steel 316 Housing mirror polished (Ra4)
Coded Magnetic Actuation
Switching Tolerance up to 10mm
Will operate with most Safety Relays



CONNECTION EXAMPLE: CODED SWITCHES



Three switches connected in series to an SCR-2 or SCR-3 to give Dual Channel guard monitoring with Manual Start and Contactor Feedback Check.

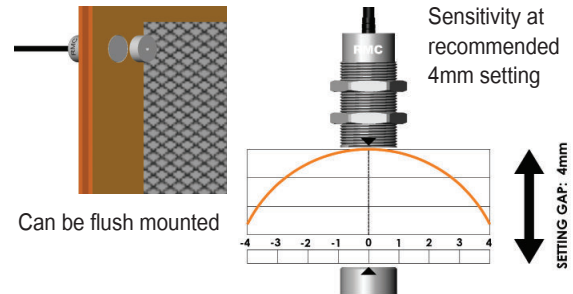
	140101	Female QC Lead	M12 Female 5m. 8 way
	140102	Female QC Lead	M12 Female 10m. 8 way

Standards: ISO14119 EN60947-5-3
 EN60204-1 ISO13849-1 EN62061 UL508

Safety Classification and Reliability Data:

ISO13849-1	Up to PLe Category 4
PFHd	2.6 x 10 ⁻¹⁰
Proof Test Interval (Life)	20 years
MTTFd	866 years
Safety Channel 1 NC	24Vdc 0.2A Max. Rating
Safety Channel 2 NC	24Vdc 0.2A Max. Rating
Safety Channel 3 NO	24Vdc 0.2A Max. Rating
Minimum Switched Current	10Vdc 1mA
Dielectric Withstand	250Vac
Insulation Resistance	100 Mohms
Recommended Setting Gap	5mm
Switching Distance	Sao 10mm Close
(Target to Target)	Sar 20mm Open
Tolerance to Misalignment	5mm in any direction from 5mm setting gap
Switching Frequency	1.0Hz maximum
Approach Speed	200mm/min to 1000mm/sec
Body Material	Stainless Steel 316 mirror polished finish to Ra4
Operating Temperature	-25C +105C (CIP SIP cleaning)
Enclosure Protection	IP69K IP67
Shock Resistance	IEC68-2-27 11ms 30g
Vibration Resistance	IEC68-2-6 10-55Hz 1mm
Cable Type	PVC 6 or 8 core 6mm OD Conductors 0.25mm ²
Mounting Bolts	2xM4 Tightening torque 1.0Nm
Mounting Position	Any

For all IDEM switches the normally closed (NC) circuits are closed when the guard is closed and the actuator is present.



Quick Connect QC M12 8 Way Male Plug Pin view from Switch	Flying Lead Colour	Circuit (Actuator Present)	Output Types Solid State
8	Orange	Auxiliary NO or NC	200mA Max. 24Vdc
5	Brown	Auxiliary NO or NC	24Vdc
4	Yellow	Safety NC2 +ve	200mA Max. 24Vdc
6	Green	Safety NC2 -ve	200mA Max. 24Vdc
7	Black	Safety NC1 +ve	200mA Max. 24Vdc
1	White	Safety NC1 -ve	24Vdc
2	Red	Supply +24Vdc	Supply 24Vdc +/- 10%
3	Blue	Supply 0Vdc	

SALES NUMBER	TYPE	CABLE LENGTH	CIRCUITS
134001	Hygiecode RMC	2M	2NC
134002	Hygiecode RMC	5M	2NC
134003	Hygiecode RMC	10M	2NC
134004	Hygiecode RMC	QC-M12	2NC
134005	Hygiecode RMC	2M	2NC 1NO
134006	Hygiecode RMC	5M	2NC 1NO
134007	Hygiecode RMC	10M	2NC 1NO
134008	Hygiecode RMC	QC-M12	2NC 1NO
134105	Hygiecode RMC	2M	3NC
134106	Hygiecode RMC	5M	3NC
134107	Hygiecode RMC	10M	3NC
134108	Hygiecode RMC	QC-M12	3NC

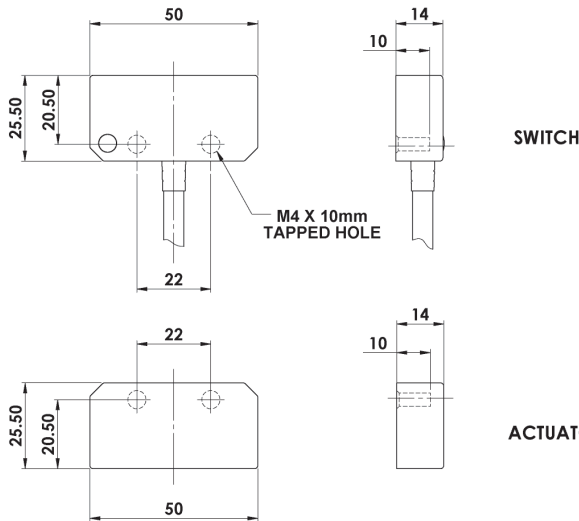
Note: 2NC 1NO versions have 2NC Safety and 1NO Auxiliary Circuits
 3NC versions have 2NC Safety and 1NC Auxiliary Circuits
AVAILABLE WITHOUT LED IF REQUIRED.

HYGIECODE - Coded Non Contact Type: SMC-F

FEATURES:

Specifically designed for Food Processing applications
 Suitable for CIP and SIP cleaning - mounting holes at rear - no food traps
 Wide 14mm sensing with high tolerance to misalignment
 Universal housing - 22mm fixing hole centre - 50mm wide body
 Can be high pressure hosed at high temperature - IP69K rating
 Rear fixing with 2 x M4 tapped holes
 Up to: PLe ISO13849-1
 2NC 1NO circuits - high switching life - no moving parts
 Quick Connect versions available

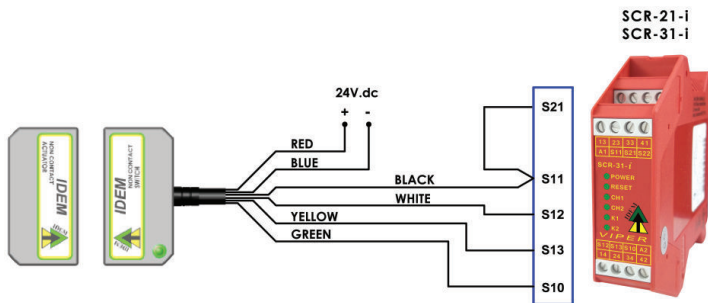
DIMENSIONS:



SWITCH

ACTUATOR

CONNECTION EXAMPLE: CODED SWITCHES



Standards: ISO14119 EN60947-5-3 EN60204-1 ISO13849-1 EN62061 UL508

Safety Classification and Reliability Data:

ISO13849-1	Up to PLe Category 4
PFHd	2.6×10^{-10}
Proof Test Interval (Life)	20 years
MTTFd	866 years
Safety Channel 1 NC	24Vdc 0.2A Max. Rating
Safety Channel 2 NC	24Vdc 0.2A Max. Rating
Safety Channel 3 NO	24Vdc 0.2A Max. Rating
Minimum Switched Current	10Vdc 1mA
Dielectric Withstand	250Vac
Insulation Resistance	100 Mohms
Recommended Setting Gap	5mm
Switching Distance	Sao 10mm Close
(Target to Target)	Sar 20mm Open
Tolerance to Misalignment	5mm in any direction from 5mm setting gap
Switching Frequency	1.0Hz maximum
Approach Speed	200mm/min to 1000mm/sec
Body Material	Stainless Steel 316 mirror polished finish to Ra4
Operating Temperature	-25C +105C (CIP SIP cleaning)
Enclosure Protection	IP69K IP67
Shock Resistance	IEC68-2-27 11ms 30g
Vibration Resistance	IEC68-2-6 10-55Hz 1mm
Cable Type	PVC 6 or 8 core 6mm OD Conductors 0.25mm ²
Mounting Bolts	2xM4 Tightening torque 1.0Nm
Mounting Position	Any

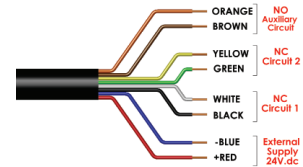
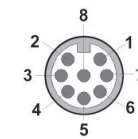
For all IDEM switches the normally closed (NC) circuits are closed when the guard is closed and the actuator is present.



Stainless Steel 316 Housing mirror polished (Ra4)
Coded Magnetic Actuation
Switching Tolerance up to 14mm
Will operate with most Safety Relays



Quick Connect M12 versions fitted with 250mm (10") cable



Quick Connect QC M12 8 Way Male Plug Pin view from Switch	Flying Lead Colour	Circuit (Actuator Present)	Output Types Solid State
8	Orange	Auxiliary NO or NC	200mA Max. 24Vdc
5	Brown	Auxiliary NO or NC	200mA Max. 24Vdc
4	Yellow	Safety NC2	200mA Max. 24Vdc
6	Green	Safety NC2	200mA Max. 24Vdc
7	Black	Safety NC1	200mA Max. 24Vdc
1	White	Safety NC1	200mA Max. 24Vdc
2	Red	Supply +24Vdc	Supply 24Vdc
3	Blue	Supply 0Vdc	+/- 10%

140101	Female QC Lead	M12 Female 5m. 8 way
140102	Female QC Lead	M12 Female 10m. 8 way

SALES NUMBER	TYPE	CABLE LENGTH	CIRCUITS
137001	Hygiecode SMC-F	2M	2NC
137002	Hygiecode SMC-F	5M	2NC
137003	Hygiecode SMC-F	10M	2NC
137004	Hygiecode SMC-F	QC-M12	2NC
137005	Hygiecode SMC-F	2M	2NC 1NO
137006	Hygiecode SMC-F	5M	2NC 1NO
137007	Hygiecode SMC-F	10M	2NC 1NO
137008	Hygiecode SMC-F	QC-M12	2NC 1NO
137105	Hygiecode SMC-F	2M	3NC
137106	Hygiecode SMC-F	5M	3NC
137107	Hygiecode SMC-F	10M	3NC
137108	Hygiecode SMC-F	QC-M12	3NC

Note: 2NC 1NO versions have 2NC Safety and 1NO Auxiliary Circuits
 3NC versions have 2NC Safety and 1NC Auxiliary Circuits
AVAILABLE WITHOUT LED IF REQUIRED.

HYGIECODE - Coded Non Contact Type: SMC-H

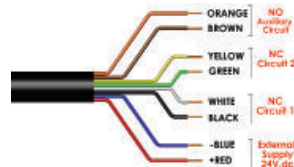
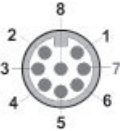
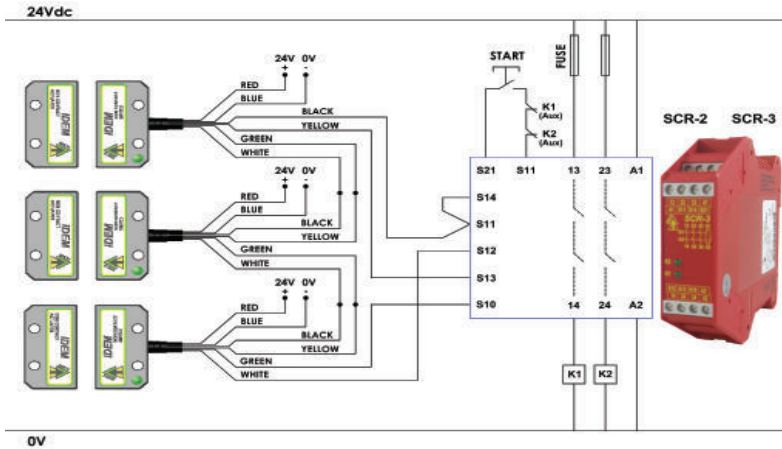
FEATURES:

- Designed for Food Processing and Pharmaceutical applications
- Through hole fixing for front mounting by hexagon bolts - no food trap areas
- Suitable for CIP and SIP cleaning - Food Contact or Splash Zones EHEDG Guidelines
- Wide 14mm sensing with high tolerance to misalignment
- Universal fitting, established 22mm fixing footprint - suits most applications
- Can be high pressure hosed at high temperature
- Up to: PLe ISO13849-1
- 2NC 1NO circuits - high switching life - no moving parts
- Quick Connect versions available

Stainless Steel 316 Housing mirror polished (Ra4)
 Coded Magnetic Actuation
 Switching Tolerance up to 14mm
Will operate with most Safety Relays

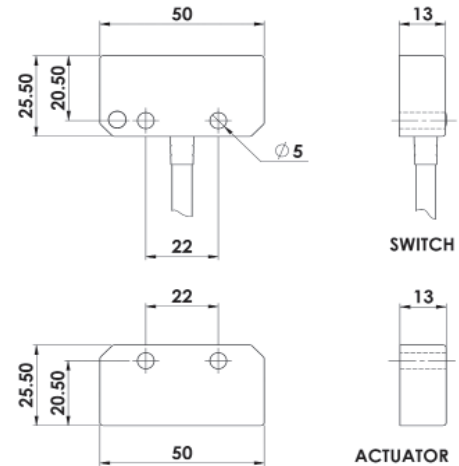


CONNECTION EXAMPLE: CODED SWITCHES



140101	Female QC Lead	M12 Female 5m. 8 way
140102	Female QC Lead	M12 Female 10m. 8 way

DIMENSIONS:



Quick Connect QC M12 8 Way Male Plug Pin view from Switch	Flying Lead Colour	Circuit (Actuator Present)	Output Types Solid State
8	Orange	Auxiliary NO or NC	200mA Max. 24Vdc
5	Brown	Auxiliary NO or NC	
4	Yellow	Safety NC2	200mA Max. 24Vdc
6	Green	Safety NC2	
7	Black	Safety NC1	200mA Max. 24Vdc
1	White	Safety NC1	
2	Red	Supply +24Vdc	Supply 24Vdc +/- 10%
3	Blue	Supply 0Vdc	

Standards: ISO14119 EN60947-5-3
 EN62024-1 ISO13849-1 EN62061 UL508

Safety Classification and Reliability Data:

ISO13849-1 PFHd	Up to PLe Category 4
Proof Test Interval (Life)	2.6 x 10 ⁻¹⁰
MTTFd	20 years
	866 years
Safety Channel 1 NC	24Vdc 0.2A Max. Rating
Safety Channel 2 NC	24Vdc 0.2A Max. Rating
Safety Channel 3 NO	24Vdc 0.2A Max. Rating
Minimum Switched Current	10Vdc 1mA
Dielectric Withstand	250Vac
Insulation Resistance	100 Mohms
Recommended Setting Gap	5mm
Switching Distance (Target to Target)	Sao 10mm Close Sar 20mm Open
Tolerance to Misalignment	5mm in any direction from 5mm setting gap
Switching Frequency	1.0Hz maximum
Approach Speed	200mm/min to 1000mm/sec
Body Material	Stainless Steel 316 mirror polished finish to Ra4
Operating Temperature	-25C +105C (CIP SIP cleaning)
Enclosure Protection	IP69K IP67
Shock Resistance	IEC68-2-27 11ms 30g
Vibration Resistance	IEC68-2-6 10-55Hz 1mm
Cable Type	PVC 6 or 8 core 6mm OD Conductors 0.25mm ²
Mounting Bolts	2xM4 Tightening torque 1.0Nm
Mounting Position	Any

For all IDEM switches the normally closed (NC) circuits are closed when the guard is closed and the actuator is present.

SALES NUMBER	TYPE	CABLE LENGTH	CIRCUITS
132001	Hygiecode SMC-H	2M	2NC
132002	Hygiecode SMC-H	5M	2NC
132003	Hygiecode SMC-H	10M	2NC
132004	Hygiecode SMC-H	QC-M12	2NC
132005	Hygiecode SMC-H	2M	2NC 1NO
132006	Hygiecode SMC-H	5M	2NC 1NO
132007	Hygiecode SMC-H	10M	2NC 1NO
132008	Hygiecode SMC-H	QC-M12	2NC 1NO
132105	Hygiecode SMC-H	2M	3NC
132106	Hygiecode SMC-H	5M	3NC
132107	Hygiecode SMC-H	10M	3NC
132108	Hygiecode SMC-H	QC-M12	3NC

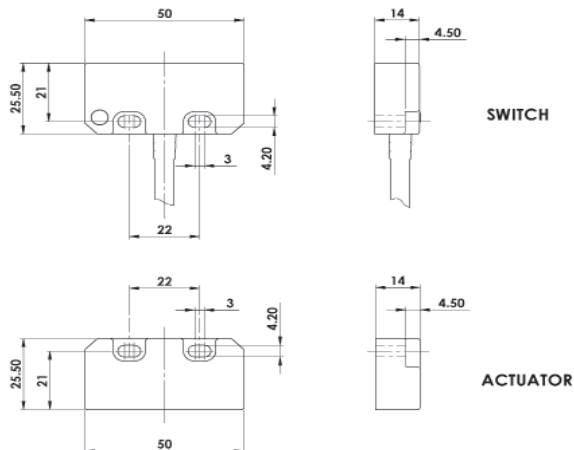
Note: 2NC 1NO versions have 2NC Safety and 1NO Auxiliary Circuits
 3NC versions have 2NC Safety and 1NC Auxiliary Circuits
AVAILABLE WITHOUT LED IF REQUIRED.

HYGIECODE - Coded Non Contact Type: SMC

FEATURES:

- Robust Stainless Steel 316 enclosure designed to survive the tough environments of Food Processing and Pharmaceutical industries
- LED indication
- Survives high pressure hosing at high temperature
- Wide 14mm sensing with high tolerance to misalignment
- Universal fitting - 22mm footprint suitable for most applications
- Up to: PLe ISO13849-1
- 2NC 1NO circuits - high switching life - no moving parts
- Quick Connect versions available

DIMENSIONS:

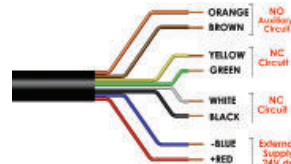
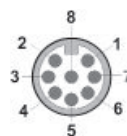
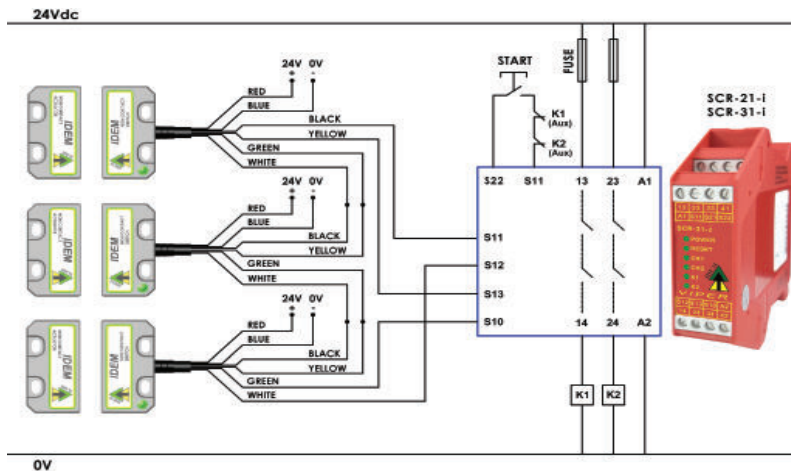


Stainless Steel 316 Housing mirror polished (Ra4)
Coded Magnetic Actuation
Switching Tolerance up to 14mm
Will operate with most Safety Relays



Quick Connect M12 versions fitted with 250mm (10") cable

CONNECTION EXAMPLE: CODED SWITCHES



Quick Connect QC M12 8 Way Male Plug Pin view from Switch	Flying Lead Colour	Circuit (Actuator Present)	Output Types Solid State
8	Orange	Auxiliary NO or NC	200mA Max. 24Vdc
5	Brown	Auxiliary NO or NC	200mA Max. 24Vdc
4	Yellow	Safety NC2	200mA Max. 24Vdc
6	Green	Safety NC2	200mA Max. 24Vdc
7	Black	Safety NC1	200mA Max. 24Vdc
1	White	Safety NC1	200mA Max. 24Vdc
2	Red	Supply +24Vdc	Supply 24Vdc +/- 10%
3	Blue	Supply 0Vdc	Supply 24Vdc +/- 10%

Standards: ISO14119 EN60947-5-3 EN60204-1 ISO13849-1 EN62061 UL508

Safety Classification and Reliability Data:

- ISO13849-1 Up to PLe Category 4
- PFHd 2.6×10^{-10}
- Proof Test Interval (Life) 20 years
- MTTFd 866 years
- Safety Channel 1 NC 24Vdc 0.2A Max. Rating
- Safety Channel 2 NC 24Vdc 0.2A Max. Rating
- Safety Channel 3 NO 24Vdc 0.2A Max. Rating
- Minimum Switched Current 10Vdc 1mA
- Dielectric Withstand 250Vac
- Insulation Resistance 100 Mohms
- Recommended Setting Gap 5mm
- Switching Distance Sao 10mm Close
- (Target to Target) Sar 20mm Open
- Tolerance to Misalignment 5mm in any direction from 5mm setting gap
- Switching Frequency 1.0Hz maximum
- Approach Speed 200mm/min to 1000mm/sec
- Body Material Stainless Steel 316 mirror polished finish to Ra4
- Operating Temperature -25C +105C (CIP SIP cleaning)
- Enclosure Protection IP69K IP67
- Shock Resistance IEC68-2-27 11ms 30g
- Vibration Resistance IEC68-2-6 10-55Hz 1mm
- Cable Type PVC 6 or 8 core 6mm OD Conductors 0.25mm²
- Mounting Bolts 2xM4 Tightening torque 1.0Nm
- Mounting Position Any

For all IDEM switches the normally closed (NC) circuits are closed when the guard is closed and the actuator is present.

140101	Female QC Lead	M12 Female 5m. 8 way
140102	Female QC Lead	M12 Female 10m. 8 way

SALES NUMBER	TYPE	CABLE LENGTH	CIRCUITS
139001	Hygiecode SMC	2M	2NC
139002	Hygiecode SMC	5M	2NC
139003	Hygiecode SMC	10M	2NC
139004	Hygiecode SMC	QC-M12	2NC
139005	Hygiecode SMC	2M	2NC 1NO
139006	Hygiecode SMC	5M	2NC 1NO
139007	Hygiecode SMC	10M	2NC 1NO
139008	Hygiecode SMC	QC-M12	2NC 1NO
139105	Hygiecode SMC	2M	3NC
139106	Hygiecode SMC	5M	3NC
139107	Hygiecode SMC	10M	3NC
139108	Hygiecode SMC	QC-M12	3NC

Note: 2NC 1NO versions have 2NC Safety and 1NO Auxiliary Circuits
 3NC versions have 2NC Safety and 1NC Auxiliary Circuits
AVAILABLE WITHOUT LED IF REQUIRED.

HYGIECODE - Coded Non Contact Type: WMC

FEATURES:

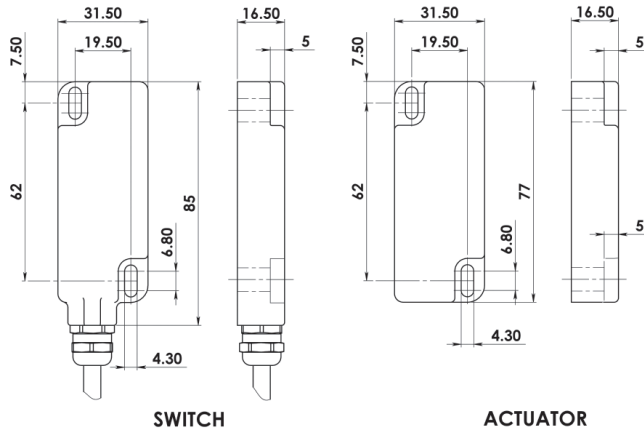
Specifically designed for Food Processing applications -
 Stainless Steel 316 Housing Mirror Polished finish (Ra4)
 Robust 32mm wide housing, no moving parts - survives shock and vibration
 Can be high pressure hosed at high temperature - IP69K
 Wide 14mm sensing with high tolerance to misalignment
 Suitable for CIP and SIP cleaning -
 Food Splash Zones EHEDG guidelines

LED indication

Up to: PLe ISO13849-1

2NC 1NO circuits - high switching life - no moving parts

DIMENSIONS:



SWITCH

ACTUATOR

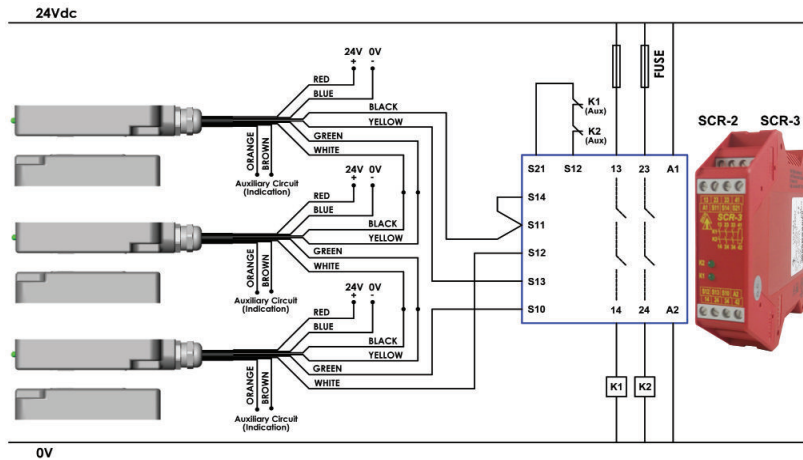
Stainless Steel 316 Housing mirror polished (Ra4)
Coded Magnetic Actuation
Switching Tolerance up to 14mm
Will operate with most Safety Relays



Quick Connect M12 versions fitted with 250mm (10") cable



CONNECTION EXAMPLE: CODED SWITCHES



Three switches connected in series to an SCR-2 or SCR-3 to give Dual Channel monitoring with Automatic Start and Contactor Feedback Check. Optional auxiliary circuits provide for remove signalling from each switch.



Quick Connect QC M12 8 Way Male Plug Pin view from Switch	Flying Lead Colour	Circuit (Actuator Present)	Output Types Solid State
8	Orange	Auxiliary NO or NC	200mA Max. 24Vdc
5	Brown	Auxiliary NO or NC	200mA Max. 24Vdc
4	Yellow	Safety NC2	200mA Max. 24Vdc
6	Green	Safety NC2	200mA Max. 24Vdc
7	Black	Safety NC1	200mA Max. 24Vdc
1	White	Safety NC1	200mA Max. 24Vdc
2	Red	Supply +24Vdc	Supply 24Vdc
3	Blue	Supply 0Vdc	+/- 10%

Standards: ISO14119 EN60947-5-3
 EN60204-1 ISO13849-1 EN62061 UL508

Safety Classification and Reliability Data:

ISO13849-1	Up to PLe Category 4
PFHd	2.6×10^{-10}
Proof Test Interval (Life)	20 years
MTTFd	866 years
Safety Channel 1 NC	24Vdc 0.2A Max. Rating
Safety Channel 2 NC	24Vdc 0.2A Max. Rating
Safety Channel 3 NO	24Vdc 0.2A Max. Rating
Minimum Switched Current	10Vdc 1mA
Dielectric Withstand	250Vac
Insulation Resistance	100 Mohms
Recommended Setting Gap	5mm
Switching Distance	Sao 10mm Close
(Target to Target)	Sar 20mm Open
Tolerance to Misalignment	5mm in any direction from 5mm setting gap
Switching Frequency	1.0Hz maximum
Approach Speed	200mm/min to 1000mm/sec
Body Material	Stainless Steel 316 mirror polished finish to Ra4
Operating Temperature	-25C +105C (CIP SIP cleaning)
Enclosure Protection	IP69K (NEMA PW12) IP67 (NEMA 6)
Shock Resistance	IEC68-2-27 11ms 30g
Vibration Resistance	IEC68-2-6 10-55Hz 1mm
Cable Type	PVC 6 or 8 core 6mm OD Conductors 0.25mm ²
Mounting Bolts	2xM4 Tightening torque 1.0Nm
Mounting Position	Any



140101	Female QC Lead	M12 Female 5m. 8 way
140102	Female QC Lead	M12 Female 10m. 8 way

SALES NUMBER	TYPE	CABLE LENGTH	CIRCUITS
136013	Hygiecode WMC	2M	2NC
136014	Hygiecode WMC	5M	2NC
136015	Hygiecode WMC	10M	2NC
136016	Hygiecode WMC	QC-M12	2NC
136017	Hygiecode WMC	2M	2NC 1NO
136018	Hygiecode WMC	5M	2NC 1NO
136019	Hygiecode WMC	10M	2NC 1NO
136020	Hygiecode WMC	QC-M12	2NC 1NO

AVAILABLE WITHOUT LED IF REQUIRED.

For all IDEM switches the normally closed (NC) circuits are closed when the guard is closed and the actuator is present.