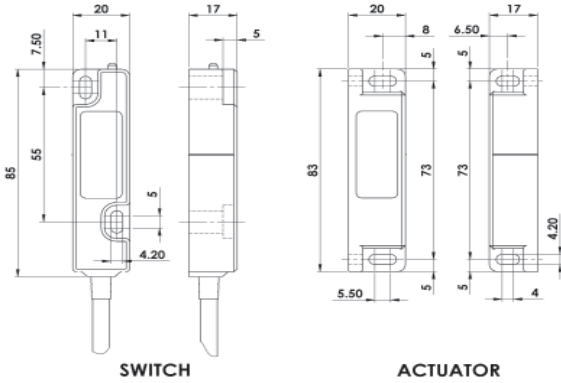


IDECODE - Coded Non Contact Type: CPC

FEATURES:

Designed with a slim fitting making it suitable for all industry applications
 Easy to install within narrow frame constructions
 High specification and durable polyester housing
 Wide 14mm sensing with high tolerance to misalignment
 Up to: PLe ISO13849-1
 2NC 1NO circuits - high switching life - no moving parts
 Quick Connect versions available

DIMENSIONS:



Coded Magnetic Actuation
Switching Tolerance up to 14mm
Will operate with most Safety Relays

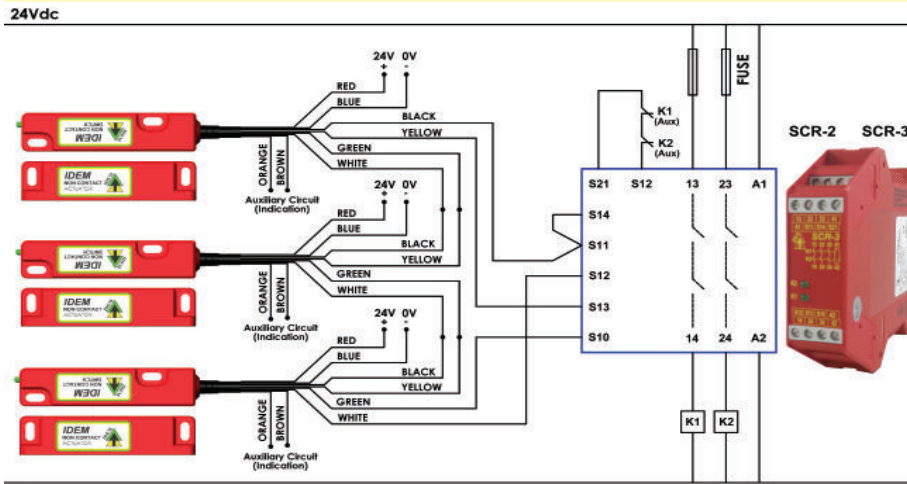


Quick Connect M12 versions fitted with 250mm (10") cable

Three switches connected in series to an SCR-2 or SCR-3 to give Dual Channel monitoring with automatic start and contactor feedback check.

Optional auxiliary circuits provide for remote signalling from each switch.

CONNECTION EXAMPLE: CODED SWITCH



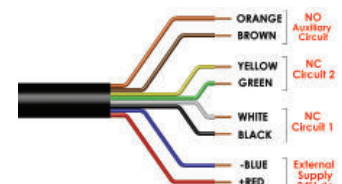
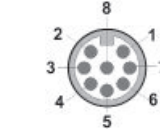
140101	Female QC Lead	M12 Female 5m. 8 way
140102	Female QC Lead	M12 Female 10m. 8 way

Standards: ISO14119 EN60947-5-3
 EN60204-1 ISO13849-1 EN62061 UL508

Safety Classification and Reliability Data:

ISO13849-1	Up to PLe Category 4
PFHd	2.6×10^{-10}
Proof Test Interval (Life)	20 years
MTTFd	866 years
Safety Channel 1 NC	24Vdc 0.2A Max. Rating
Safety Channel 2 NC	24Vdc 0.2A Max. Rating
Safety Channel 3 NO	24Vdc 0.2A Max. Rating
Minimum Switched Current	10Vdc 1mA
Dielectric Withstand	250Vac
Insulation Resistance	100 Mohms
Recommended Setting Gap	5mm
Switching Distance (Target to Target)	Sao 10mm Close Sar 20mm Open
Tolerance to Misalignment	5mm in any direction from 5mm setting gap
Switching Frequency	1.0Hz maximum
Approach Speed	200mm/min to 1000mm/sec
Body Material	UL approved polyester
Operating Temperature	-25C +80C
Enclosure Protection	IP69K IP67
Shock Resistance	IEC68-2-27 11ms 30g
Vibration Resistance	IEC68-2-6 10-55Hz 1mm
Cable Type	PVC 6 or 8 core 6mm OD Conductors 0.25mm ²
Mounting Bolts	2xM4 Tightening Torque 1.0Nm
Mounting Position	Any

For all IDEM switches the normally closed (NC) circuits are closed when the guard is closed and the actuator is present.



Quick Connect QC M12 8 Way Male Plug Pin view from Switch	Flying Lead Colour	Circuit (Actuator Present)	Output Types Solid State
8	Orange	Auxiliary NO or NC	
5	Brown	Auxiliary NO or NC	200mA Max. 24Vdc
4	Yellow	Safety NC2	
6	Green	Safety NC2	200mA Max. 24Vdc
7	Black	Safety NC1	
1	White	Safety NC1	200mA Max. 24Vdc
2	Red	Supply +24Vdc	Supply 24Vdc +/- 10%
3	Blue	Supply 0Vdc	

SALES NUMBER	TYPE	CABLE LENGTH	CIRCUITS
115001	Idecode CPC	2M	2NC
115002	Idecode CPC	5M	2NC
115003	Idecode CPC	10M	2NC
115004	Idecode CPC	QC-M12	2NC
115005	Idecode CPC	2M	2NC 1NO
115006	Idecode CPC	5M	2NC 1NO
115007	Idecode CPC	10M	2NC 1NO
115008	Idecode CPC	QC-M12	2NC 1NO

AVAILABLE WITHOUT LED IF REQUIRED.

KOBRACODE - Coded Non Contact Type: KPC

FEATURES:

Industry housing shape 52mm wide 98mm long 40mm fixing
2NC 1NO semi conductor outputs for connection to safety relay
Visual LED indication of switch status
Fully encapsulated sealing and pre-wired 2m, 5m or 10m cable
Wide 10mm sensing with high tolerance to misalignment
M12 8 Way Quick Connect version available (flying lead 150mm)

APPLICATION:

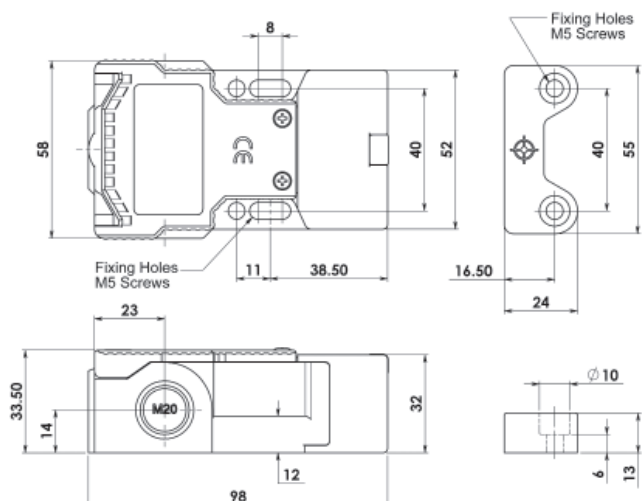
IDEM KPC Coded Non Contact switches have been designed to interlock hinged, sliding or removable guard doors.

They have an industry standard fixing and are specifically advantageous where:

- (a) severe guard alignment exists using traditional tongue type versions
- (b) long mechanical life is required (no moving or touching parts)

When used in combination with Dual Channel Safety Relays they can be used to provide up to PLe ISO13849-1 SIL3 EN62061.

DIMENSIONS:



Pre-wired Versions (fully encapsulated)

Standards: ISO14119 EN60947-5-3
EN60204-1 ISO13849-1 EN62061 UL508

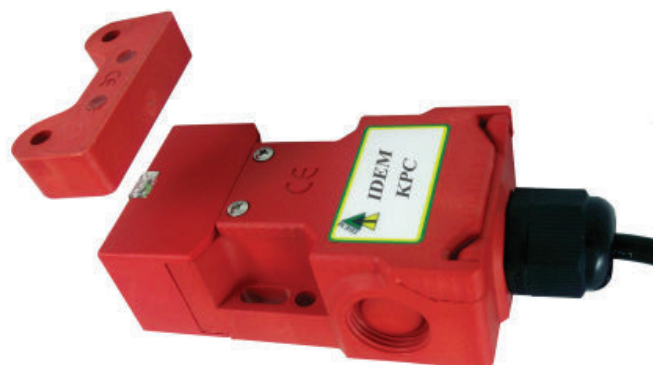
Safety Classification and Reliability Data:

ISO13849-1	Up to PLe Category 4
PFHd	2.6×10^{-10}
Proof Test Interval (Life)	20 years
MTTFd	866 years
Safety Channel 1 NC	24Vdc 0.2A Max. Rating
Safety Channel 2 NC	24Vdc 0.2A Max. Rating
Safety Channel 3 NO	24Vdc 0.2A Max. Rating
Minimum Switched Current	10Vdc 1mA
Dielectric Withstand	250Vac
Insulation Resistance	100 Mohms
Recommended Setting Gap	5mm
Switching Distance	Sao 8mm Close
(Target to Target)	Sar 20mm Open
Tolerance to Misalignment	5mm in any direction from 5mm setting gap
Switching Frequency	1.0Hz maximum
Approach Speed	200mm/min to 1000mm/sec
Body Material	UL approved polyester
Operating Temperature	-25C +80C
Enclosure Protection	IP67 (NEMA 6)
Shock Resistance	IEC68-2-27 11ms 30g
Vibration Resistance	IEC68-2-6 10-55Hz 1mm
Cable Type	PVC 8 core 6mm OD Conductors 0.25mm ²
Mounting Bolts	2xM5 Tightening torque 1.0Nm
Mounting Position	Any

For all IDEM switches the normally closed (NC) circuits are closed when the guard is closed and the actuator is present.



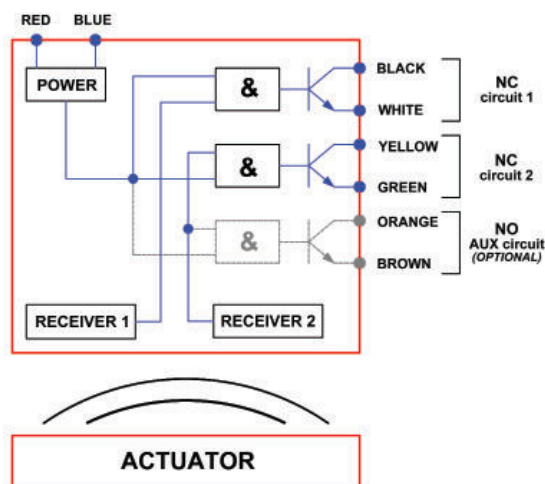
Coded Magnetic Actuation
Switching Tolerance up to 10mm
Will operate with most Safety Relays



Front Actuation

End Actuation

SENSING PRINCIPLE:



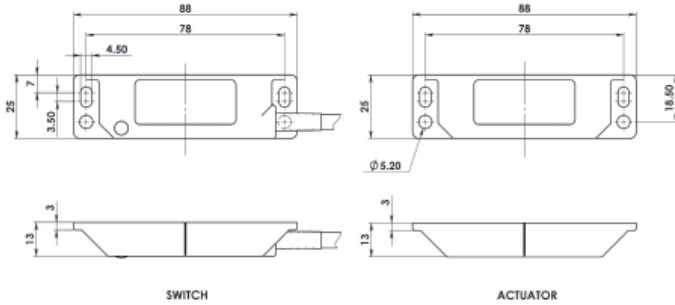
SALES NUMBER	TYPE	CONDUIT OR CABLE EXIT	CIRCUITS
120001	Kobracode KPC	Pre-wired 2m End	2NC 1NO
120002	Kobracode KPC	Pre-wired 5m End	2NC 1NO
120003	Kobracode KPC	Pre-wired 10m End	2NC 1NO
120004	Kobracode KPC	Pre-wired 2m Left	2NC 1NO
120005	Kobracode KPC	Pre-wired 5m Left	2NC 1NO
120006	Kobracode KPC	Pre-wired 10m Left	2NC 1NO
120007	Kobracode KPC	Pre-wired 2m Right	2NC 1NO
120008	Kobracode KPC	Pre-wired 5m Right	2NC 1NO
120009	Kobracode KPC	Pre-wired 10m Right	2NC 1NO
120012	Kobracode KPC	QC M12 8 Way 150mm End	2NC 1NO

EUROCODE - Coded Non Contact Type: LPC

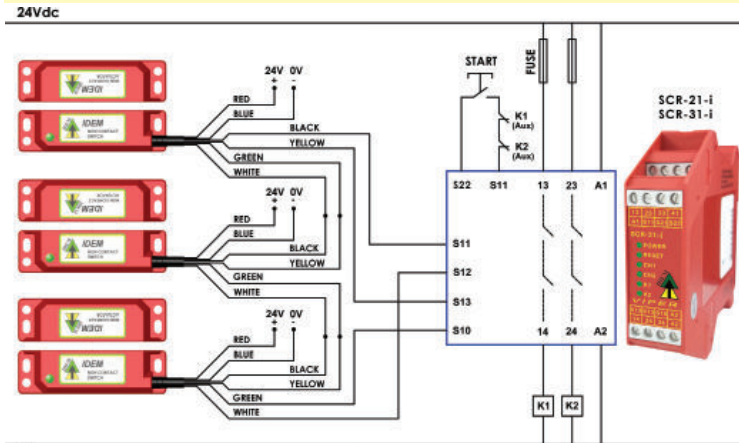
FEATURES:

- Popular European fitting suitable for all industry applications
- LED indication
- Can be high pressure hosed at high temperature due to IP69K rating
- Wide sensing at 14mm with high tolerance to misalignment
- High specification polyester housing with integral back plate
- Quick Connect versions available
- Up to: PLe ISO13849-1
- 2NC 1NO circuits - high switching life - no moving parts
- Magnet holding option available for use with small guards

DIMENSIONS:



CONNECTION EXAMPLE: CODED SWITCH



0V
Three switches connected in series to an SCR-21-i or SCR-31-i to give Dual Channel monitoring with monitored Manual Start and Contactor Feedback Check

140101	Female QC Lead	M12 Female 5m. 8 way
140102	Female QC Lead	M12 Female 10m. 8 way

Standards: ISO14119 EN60947-5-3
EN60204-1 ISO13849-1 EN62061 UL508

Safety Classification and Reliability Data:

ISO13849-1	Up to PLe Category 4
PFHd	2.6×10^{-10}
Proof Test Interval (Life)	20 years
MTTFd	866 years
Safety Channel 1 NC	24Vdc 0.2A Max. Rating
Safety Channel 2 NC	24Vdc 0.2A Max. Rating
Safety Channel 3 NO	24Vdc 0.2A Max. Rating
Minimum Switched Current	10Vdc 1mA
Dielectric Withstand	250Vac
Insulation Resistance	100 Mohms
Recommended Setting Gap	5mm
Switching Distance	Sao 10mm Close
(Target to Target)	Sar 20mm Open
Tolerance to Misalignment	5mm in any direction from 5mm setting gap
Switching Frequency	1.0Hz maximum
Approach Speed	200mm/min to 1000mm/sec
Body Material	UL approved polyester
Operating Temperature	-25C +80C
Enclosure Protection	IP69K IP67
Shock Resistance	IEC68-2-27 11ms 30g
Vibration Resistance	IEC68-2-6 10-55Hz 1mm
Cable Type	PVC 6 or 8 core 6mm OD Conductors 0.25mm ²
Mounting Bolts	2xM4 Tightening torque 1.0Nm
Mounting Position	Any

For all IDEM switches the normally closed (NC) circuits are closed when the guard is closed and the actuator is present.



Coded Magnetic Actuation
Switching Tolerance up to 14mm
Will operate with most Safety Relays

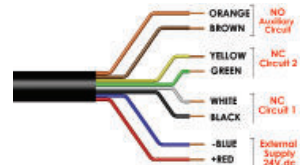
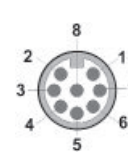


Quick Connect M12 versions fitted with 250mm (10") cable



Magnetic Holding versions

At 1mm setting gap: 10N
At 5mm setting gap: 5N



Quick Connect QC M12 8 Way Male Plug Pin view from Switch	Flying Lead Colour	Circuit (Actuator Present)	Output Types Solid State
8	Orange	Auxiliary NO or NC	200mA Max. 24Vdc
5	Brown	Auxiliary NO or NC	200mA Max. 24Vdc
4	Yellow	Safety NC2	200mA Max. 24Vdc
6	Green	Safety NC2	200mA Max. 24Vdc
7	Black	Safety NC1	200mA Max. 24Vdc
1	White	Safety NC1	200mA Max. 24Vdc
2	Red	Supply +24Vdc	Supply 24Vdc +/- 10%
3	Blue	Supply 0Vdc	Supply 24Vdc +/- 10%

SALES NUMBER	TYPE	CABLE LENGTH	CIRCUITS
110001	Eurocode LPC	2M	2NC
110002	Eurocode LPC	5M	2NC
110003	Eurocode LPC	10M	2NC
110004	Eurocode LPC	QC-M12	2NC
110005	Eurocode LPC	2M	2NC 1NO
110006	Eurocode LPC	5M	2NC 1NO
110007	Eurocode LPC	10M	2NC 1NO
110008	Eurocode LPC	QC-M12	2NC 1NO
110070	Eurocode LPC	2M	3NC
110071	Eurocode LPC	5M	3NC
110072	Eurocode LPC	10M	3NC
110073	Eurocode LPC	QC-M12	3NC

For Magnetic Holding versions add 10N to Sales Number
Example: LPC 2NC 1NO 5m with Magnetic Holding Order: 110006-10N

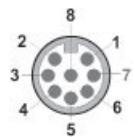
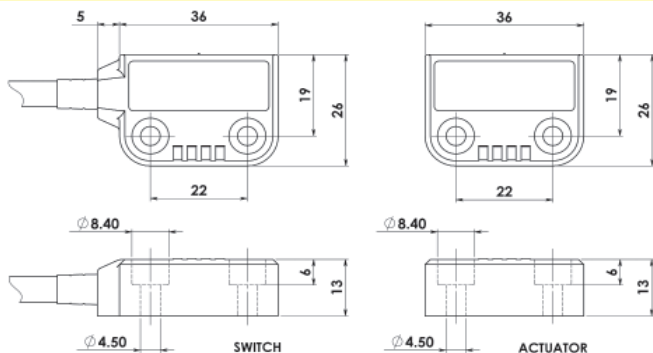
Note: 2NC 1NO versions have 2NC Safety and 1NO Auxiliary Circuits
3NC versions have 2NC Safety and 1NC Auxiliary Circuits
AVAILABLE WITHOUT LED IF REQUIRED.

IDECODE - Coded Non Contact Type: MPC

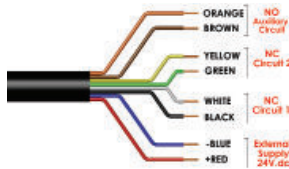
FEATURES:

- Compact and robust fitting suitable for all small guard applications.
- LED indication
- Hygienic screw covers ensure suitability for Food Processing washdown
- Cost-effective interlock solution
- Wide sensing at 10mm
- High specification polyester housing with integral back plate
- Can be mounted unobtrusively in channels or behind doors
- Left or right cable exit options available
- Up to: PLe ISO13849-1
- 2NC 1NO circuits - high switching life - no moving parts

DIMENSIONS:



Quick Connect M12 versions fitted with 250mm (10") cable



Quick Connect QC M12 8 Way Male Plug Pin view from Switch	Flying Lead Colour	Circuit (Actuator Present)	Output Types Solid State
8	Orange	Auxiliary NO or NC	200mA Max. 24Vdc
5	Brown	Auxiliary NO or NC	
4	Yellow	Safety NC2	200mA Max. 24Vdc
6	Green	Safety NC2	
7	Black	Safety NC1	200mA Max. 24Vdc
1	White	Safety NC1	
2	Red	Supply +24Vdc	Supply 24Vdc +/- 10%
3	Blue	Supply 0Vdc	



140101	Female QC Lead	M12 Female 5m. 8 way
140102	Female QC Lead	M12 Female 10m. 8 way

Standards: ISO14119 EN60947-5-3
EN60204-1 ISO13849-1 EN62061 UL508

Safety Classification and Reliability Data:

ISO13849-1	Up to PLe Category 4
PFHd	2.6 x 10 ⁻¹⁰
Proof Test Interval (Life)	20 years
MTTFd	866 years
Safety Channel 1 NC	24Vdc 0.2A Max. Rating
Safety Channel 2 NC	24Vdc 0.2A Max. Rating
Safety Channel 3 NO	24Vdc 0.2A Max. Rating
Minimum Switched Current	10Vdc 1mA
Dielectric Withstand	250Vac
Insulation Resistance	100 Mohms
Recommended Setting Gap	5mm
Switching Distance (Target to Target)	Sao 8mm Close Sar 12mm Open
Tolerance to Misalignment	5mm in any direction from 5mm setting gap
Switching Frequency	1.0Hz maximum
Approach Speed	200mm/min to 1000mm/sec
Body Material	UL approved polyester
Operating Temperature	-25C +80C
Enclosure Protection	IP69K IP67
Shock Resistance	IEC68-2-27 11ms 30g
Vibration Resistance	IEC68-2-6 10-55Hz 1mm
Cable Type	PVC 6 or 8 core 6mm OD Conductors 0.25mm ²
Mounting Bolts	2xM4 Tightening torque 1.0Nm
Mounting Position	Any

For all IDEM switches the normally closed (NC) circuits are closed when the guard is closed and the actuator is present.



Coded Magnetic Actuation

Switching Tolerance up to 10mm

Will operate with most Safety Relays

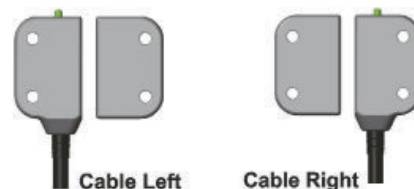
Supplied with Screw Cap covers to prevent contamination from food deposits



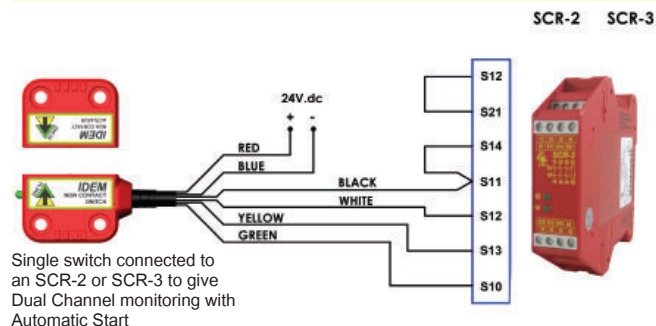
Quick Connect M12 versions fitted with 250mm (10") cable



Left or Right Cable Exit Options available



CONNECTION EXAMPLE: CODED SWITCH



Single switch connected to an SCR-2 or SCR-3 to give Dual Channel monitoring with Automatic Start

SALES NUMBER	TYPE	CABLE LENGTH	CIRCUITS
114101	MPC Cable Right	2M	2NC
114102	MPC Cable Right	5M	2NC
114103	MPC Cable Right	10M	2NC
114104	MPC Cable Right	QC-M12*	2NC
114105	MPC Cable Right	2M	2NC 1NO
114106	MPC Cable Right	5M	2NC 1NO
114107	MPC Cable Right	10M	2NC 1NO
114108	MPC Cable Right	QC-M12*	2NC 1NO
114117	MPC Cable Right	2M	3NC
114118	MPC Cable Right	5M	3NC
114119	MPC Cable Right	10M	3NC
114120	MPC Cable Right	QC-M12*	3NC
114109	MPC Cable Left	2M	2NC
114110	MPC Cable Left	5M	2NC
114111	MPC Cable Left	10M	2NC
114112	MPC Cable Left	QC-M12*	2NC
114113	MPC Cable Left	2M	2NC 1NO
114114	MPC Cable Left	5M	2NC 1NO
114115	MPC Cable Left	10M	2NC 1NO
114116	MPC Cable Left	QC-M12*	2NC 1NO
114121	MPC Cable Left	2M	3NC
114122	MPC Cable Left	5M	3NC
114123	MPC Cable Left	10M	3NC
114124	MPC Cable Left	QC-M12*	3NC

*Other QC (Quick Connect) sizes available upon request.

Note: 2NC 1NO versions have 2NC Safety and 1NO Auxiliary Circuits
3NC versions have 2NC Safety and 1NC Auxiliary Circuits

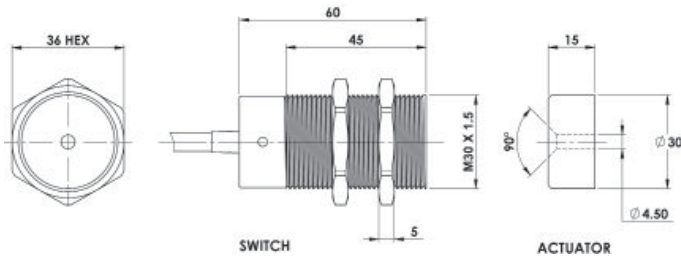
AVAILABLE WITHOUT LED IF REQUIRED.

IDECODE - Coded Non Contact Type: RPC

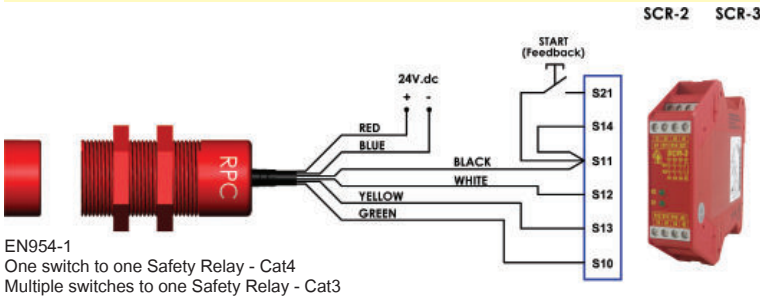
FEATURES:

- Cylindrical fitting making it suitable for all industry applications
- Easy to install with an M30 threaded body - easy to set
- Robust and durable polyester housing - suitable for harsh environments
- Wide 10mm sensing
- Can be flush mounted
- LED indication
- Up to: PLe ISO13849-1
- 2NC 1NO circuits - high switching life - no moving parts
- Quick Connect versions available

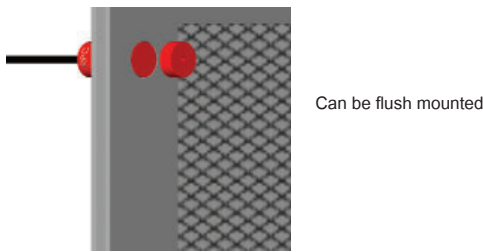
DIMENSIONS:



CONNECTION EXAMPLE: CODED SWITCH



EN954-1
One switch to one Safety Relay - Cat4
Multiple switches to one Safety Relay - Cat3



Can be flush mounted

140101	Female QC Lead	M12 Female 5m. 8 way
140102	Female QC Lead	M12 Female 10m. 8 way

Standards: ISO14119 EN60947-5-3
EN60204-1 ISO13849-1 EN62061 UL508

Safety Classification and Reliability Data:

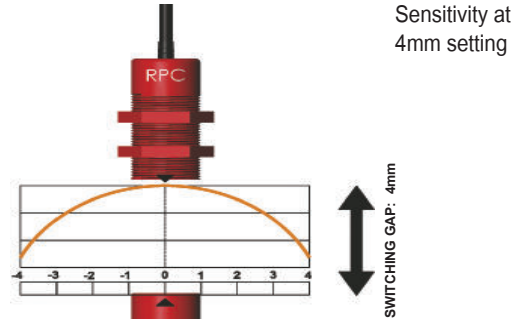
ISO13849-1	Up to PLe Category 4
PFFhd	2.6 x 10 ⁻¹⁰
Proof Test Interval (Life)	20 years
MTTFd	866 years
Safety Channel 1 NC	24Vdc 0.2A Max. Rating
Safety Channel 2 NC	24Vdc 0.2A Max. Rating
Safety Channel 3 NO	24Vdc 0.2A Max. Rating
Minimum Switched Current	10Vdc 1mA
Dielectric Withstand	250Vac
Insulation Resistance	100 Mohms
Recommended Setting Gap	5mm
Switching Distance (Target to Target)	Sao 8mm Close Sar 12mm Open
Tolerance to Misalignment	5mm in any direction from 5mm setting gap
Switching Frequency	1.0Hz maximum
Approach Speed	200mm/min to 1000mm/sec
Body Material	UL approved polyester
Operating Temperature	-25C +80C
Enclosure Protection	IP69K IP67
Shock Resistance	IEC68-2-27 11ms 30g
Vibration Resistance	IEC68-2-6 10-55Hz 1mm
Cable Type	PVC 6 or 8 core 6mm OD Conductors 0.25mm ²
Mounting Position	Any

For all IDEM switches the normally closed (NC) circuits are closed when the guard is closed and the actuator is present.

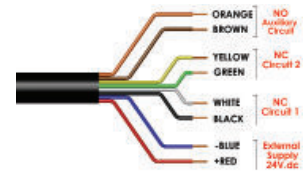
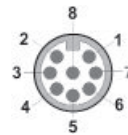
Coded Magnetic Actuation
Switching Tolerance up to 10mm
Will operate with most Safety Relays



Quick Connect M12 versions fitted with 250mm (10") cable



Sensitivity at 4mm setting



Quick Connect QC M12 8 Way Male Plug Pin view from Switch	Flying Lead Colour	Circuit (Actuator Present)	Output Types Solid State
8	Orange	Auxiliary NO or NC	200mA Max. 24Vdc
5	Brown	Auxiliary NO or NC	200mA Max. 24Vdc
4	Yellow	Safety NC2 +ve	200mA Max. 24Vdc
6	Green	Safety NC2 -ve	200mA Max. 24Vdc
7	Black	Safety NC1 +ve	200mA Max. 24Vdc
1	White	Safety NC1 -ve	200mA Max. 24Vdc
2	Red	Supply +24Vdc	Supply 24Vdc +/- 10%
3	Blue	Supply 0Vdc	Supply 24Vdc +/- 10%

SALES NUMBER	TYPE	CABLE LENGTH	CIRCUITS
116001	Idecode RPC	2M	2NC
116002	Idecode RPC	5M	2NC
116003	Idecode RPC	10M	2NC
116004	Idecode RPC	QC-M12	2NC
116005	Idecode RPC	2M	2NC 1NO
116006	Idecode RPC	5M	2NC 1NO
116007	Idecode RPC	10M	2NC 1NO
116008	Idecode RPC	QC-M12	2NC 1NO
116105	Idecode RPC	2M	3NC
116106	Idecode RPC	5M	3NC
116107	Idecode RPC	10M	3NC
116108	Idecode RPC	QC-M12	3NC

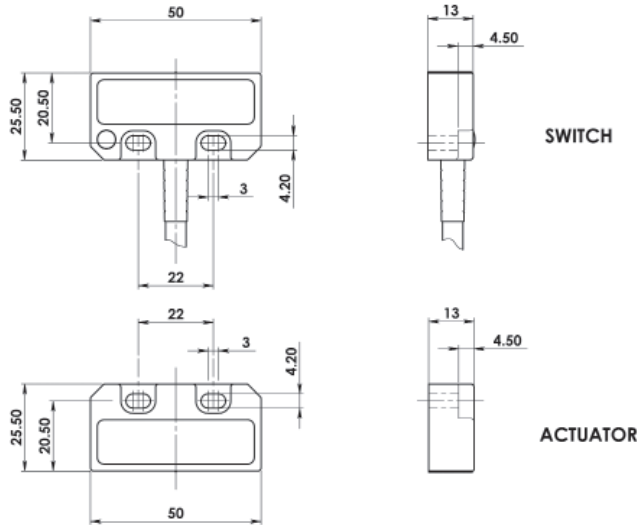
Note: 2NC 1NO versions have 2NC Safety and 1NO Auxiliary Circuits
3NC versions have 2NC Safety and 1NC Auxiliary Circuits
AVAILABLE WITHOUT LED IF REQUIRED.

IDECODE - Coded Non Contact Type: SPC

FEATURES:

Universal fitting - established 22mm footprint suitable for most applications
 Withstands environments where high humidity or hose down is required
 High specification and durable polyester housing
 Wide 14mm sensing with high tolerance to misalignment
 Up to: PLe ISO13849-1
 2NC 1NO circuits - high switching life - no moving parts
 Quick Connect versions available

DIMENSIONS:



Coded Magnetic Actuation
Switching Tolerance up to 14mm
Will operate with most Safety Relays

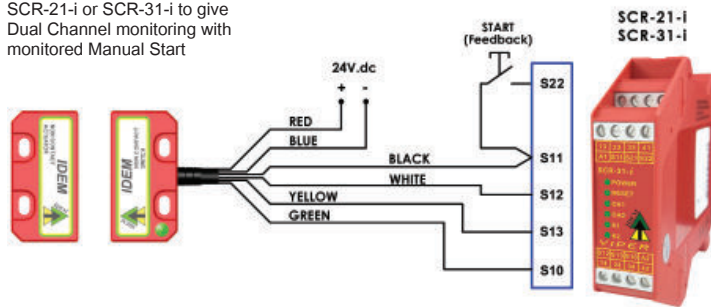


Quick Connect M12 versions fitted with 250mm (10") cable



CONNECTION EXAMPLE: CODED SWITCH

Single switch connected to an SCR-21-i or SCR-31-i to give Dual Channel monitoring with monitored Manual Start



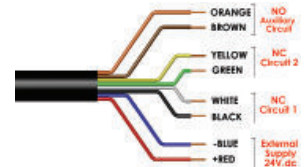
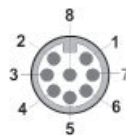
140101	Female QC Lead	M12 Female 5m. 8 way
140102	Female QC Lead	M12 Female 10m. 8 way

Standards: ISO14119 EN60947-5-3
 EN60204-1 ISO13849-1 EN62061 UL508

Safety Classification and Reliability Data:

ISO13849-1	Up to PLe Category 4
PFHd	2.6×10^{-10}
Proof Test Interval (Life)	20 years
MTTFd	866 years
Safety Channel 1 NC	24Vdc 0.2A Max. Rating
Safety Channel 2 NC	24Vdc 0.2A Max. Rating
Safety Channel 3 NO	24Vdc 0.2A Max. Rating
Minimum Switched Current	10Vdc 1mA
Dielectric Withstand	250Vac
Insulation Resistance	100 Mohms
Recommended Setting Gap	5mm
Switching Distance (Target to Target)	Sao 10mm Close Sar 20mm Open
Tolerance to Misalignment	5mm in any direction from 5mm setting gap
Switching Frequency	1.0Hz maximum
Approach Speed	200mm/min to 1000mm/sec
Body Material	UL approved polyester
Operating Temperature	-25C +80C
Enclosure Protection	IP69K IP67
Shock Resistance	IEC68-2-27 11ms 30g
Vibration Resistance	IEC68-2-6 10-55Hz 1mm
Cable Type	PVC 6 or 8 core 6mm OD Conductors 0.25mm ²
Mounting Bolts	2xM4 Tightening torque 1.0Nm
Mounting Position	Any

For all IDEM switches the normally closed (NC) circuits are closed when the guard is closed and the actuator is present.



Quick Connect QC M12 8 Way Male Plug Pin view from Switch	Flying Lead Colour	Circuit (Actuator Present)	Output Types Solid State
8	Orange	Auxiliary NO or NC	200mA Max. 24Vdc
5	Brown	Auxiliary NO or NC	200mA Max. 24Vdc
4	Yellow	Safety NC2	200mA Max. 24Vdc
6	Green	Safety NC2	200mA Max. 24Vdc
7	Black	Safety NC1	200mA Max. 24Vdc
1	White	Safety NC1	200mA Max. 24Vdc
2	Red	Supply +24Vdc	Supply 24Vdc
3	Blue	Supply 0Vdc	+/- 10%

SALES NUMBER	TYPE	CABLE LENGTH	CIRCUITS
111001	Idecode SPC	2M	2NC
111002	Idecode SPC	5M	2NC
111003	Idecode SPC	10M	2NC
111004	Idecode SPC	QC-M12	2NC
111005	Idecode SPC	2M	2NC 1NO
111006	Idecode SPC	5M	2NC 1NO
111007	Idecode SPC	10M	2NC 1NO
111008	Idecode SPC	QC-M12	2NC 1NO
111105	Idecode SPC	2M	3NC
111106	Idecode SPC	5M	3NC
111107	Idecode SPC	10M	3NC
111108	Idecode SPC	QC-M12	3NC

Note: 2NC 1NO versions have 2NC Safety and 1NO Auxiliary Circuits
 3NC versions have 2NC Safety and 1NC Auxiliary Circuits

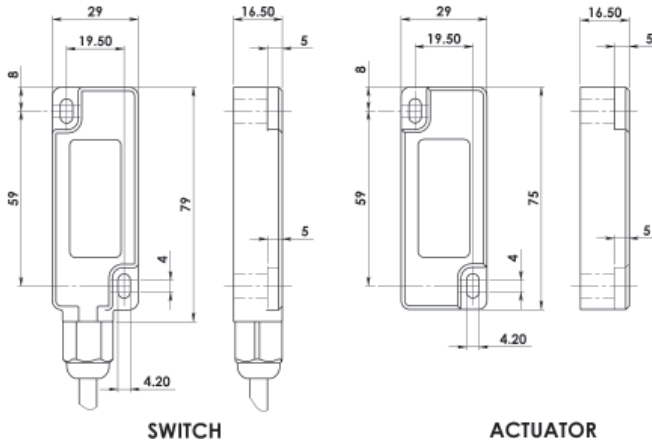
AVAILABLE WITHOUT LED IF REQUIRED.

IDECODE - Coded Non Contact Type: WPC

FEATURES:

Designed with a slim fitting making it suitable for all industry applications
 Wide 14mm sensing with high tolerance to misalignment
 High specification and durable polyester housing
 Wide 14mm sensing with high tolerance to misalignment
 LED indication - no moving parts - survives shock and vibration
 Up to: PLe ISO13849-1
 2NC 1NO circuits - high switching life - no moving parts
 Quick Connect versions available

DIMENSIONS:

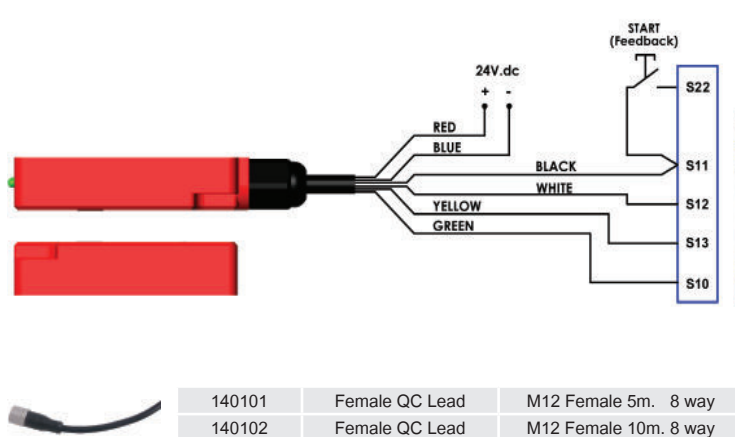


Coded Magnetic Actuation
Switching Tolerance up to 14mm
Will operate with most Safety Relays



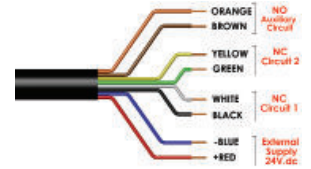
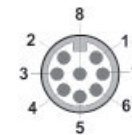
Quick Connect M12 versions fitted with 250mm (10") cable

CONNECTION EXAMPLE: CODED SWITCH



SCR-21-i
 SCR-31-i

One switch connected to an SCR-21-i or SCR-31-i to give Dual Channel monitoring with manual start.



140101	Female QC Lead	M12 Female 5m. 8 way
140102	Female QC Lead	M12 Female 10m. 8 way

Standards: ISO14119 EN60947-5-3
 EN62024-1 ISO13849-1 EN62061 UL508

Safety Classification and Reliability Data:

ISO13849-1	Up to PLe Category 4
PFHd	2.6 x 10 ⁻¹⁰
Proof Test Interval (Life)	20 years
MTTFd	866 years
Safety Channel 1 NC	24Vdc 0.2A Max. Rating
Safety Channel 2 NC	24Vdc 0.2A Max. Rating
Safety Channel 3 NO	24Vdc 0.2A Max. Rating
Minimum Switched Current	10Vdc 1mA
Dielectric Withstand	250Vac
Insulation Resistance	100 Mohms
Recommended Setting Gap	5mm
Switching Distance (Target to Target)	Sao 10mm Close
Tolerance to Misalignment	Sar 20mm Open
Switching Frequency	5mm in any direction from 5mm setting gap
Approach Speed	1.0Hz maximum
Body Material	200mm/min to 1000mm/sec
Operating Temperature	UL approved polyester
Enclosure Protection	-25C +80C
Shock Resistance	IP69K IP67
Vibration Resistance	IEC68-2-27 11ms 30g
Cable Type	IEC68-2-6 10-55Hz 1mm
Mounting Bolts	PVC 6 or 8 core 6mm OD Conductors 0.25mm ²
Mounting Position	2xM4 Tightening torque 1.0Nm
	Any

For all IDEM switches the normally closed (NC) circuits are closed when the guard is closed and the actuator is present.

Quick Connect QC M12 8 Way Male Plug Pin view from Switch	Flying Lead Colour	Circuit (Actuator Present)	Output Types Solid State
8	Orange	Auxiliary NO or NC	200mA Max. 24Vdc
5	Brown	Auxiliary NO or NC	
4	Yellow	Safety NC2	200mA Max. 24Vdc
6	Green	Safety NC2	
7	Black	Safety NC1	200mA Max. 24Vdc
1	White	Safety NC1	
2	Red	Supply +24Vdc	Supply 24Vdc +/- 10%
3	Blue	Supply 0Vdc	

SALES NUMBER	TYPE	CABLE LENGTH	CIRCUITS
112013	Idecode WPC	2M	2NC
112014	Idecode WPC	5M	2NC
112015	Idecode WPC	10M	2NC
112016	Idecode WPC	QC-M12	2NC
112017	Idecode WPC	2M	2NC 1NO
112018	Idecode WPC	5M	2NC 1NO
112019	Idecode WPC	10M	2NC 1NO
112020	Idecode WPC	QC-M12	2NC 1NO
112105	Idecode WPC	2M	3NC
112106	Idecode WPC	5M	3NC
112107	Idecode WPC	10M	3NC
112108	Idecode WPC	QC-M12	3NC

AVAILABLE WITHOUT LED IF REQUIRED.