

Explosion Proof Emergency Stop Switches



Emergency Stop Switches with ATEX EExd IIC T6 certified explosion proof contact blocks.

The internal explosion proof contact blocks (Type LS-EX) conform to European harmonized standard EN60079-0 and EN60079-1 and can be used in European Zone 1, 2, 21, 22 environments. (Gas and Dust).

Designed to the latest standard ISO13850, the switch mechanism will latch the instant the safety contacts open.

Designed for use in oil, petro-chemical, pharmaceutical, food processing and packaging applications where the potential for explosive atmospheres are present.

Exd IIC T6 (-20 ≤ Ta ≤ +60C) Gb Ex tb IIIC T85C (-20 ≤ Ta ≤ +60C) Db

ESL-SS(P)-Ex ESL-SS-Ex STANDARD DUTY MUSHROOM BUTTON TYPES

Protection shroud and lock off versions
 Special Lid Safety Trip Mechanism - contacts will open if the lid is removed
 Positive break contacts to EN60947-5-1
 Resistant to high temperature hosing and detergent washdown.
 Outer enclosure protected to IP67 and IP69K
 Robust Stainless Steel 316 housings
 Pre-wired 1NC 1NO, 2NC or 2NC 2NO contacts



ESL-SS(P)-Ex

ESL-SS-Ex

GLES-Ex GLES-SS-Ex HEAVY DUTY MUSHROOM BUTTON TYPES

High impact robust housings -
 Die Cast (painted yellow) or Stainless Steel 316
 Button mounted on top of enclosure
 Positive break contacts to EN60947-5-1
 Resistant to high temperature hosing and detergent washdown.
 Outer enclosure protected to IP67 and IP69K
 Available with up to 4 pole contacts
 1NC 1NO, 2NC, 3NC 1NO or 2NC 2NO contacts



GLES-Ex

GLES-SS-Ex

GLS-Ex GLS-SS-Ex STANDARD DUTY ROPE PULL TYPES

High impact robust housings -
 Die Cast (painted yellow) or Stainless Steel 316
 Positive break contacts to EN60947-5-1
 Resistant to high temperature hosing and detergent washdown
 Outer enclosure protected to IP67 and IP69K
 Available with up to 4 pole contacts
 1NC 1NO, 2NC, or 2NC 2NO contacts



GLS-Ex

GLS-SS-Ex

Protects up to 80m

Protects up to 100m

GLH-Ex GLH-SS-Ex HEAVY DUTY ROPE PULL TYPES



GLHD-SS-Ex



GLHL-Ex



GLHD-Ex

Dual Head version covers up to 250m with one switch or can be connected in series with other switches to protect long lengths up to 4Km.

High impact robust housings -
 Die Cast Metal or Stainless Steel 316
 Available with up to 4 pole contacts

Button mounted on top of enclosure
 Resistant to high temperature hosing
 1NC 1NO, 2NC, 3NC 1NO or 2NC 2NO

Positive break contacts to EN60947-5-1
 Outer enclosure protected to IP67 and IP69K

TECHNICAL AND SAFETY SPECIFICATIONS:

Standards: IEC/EN60079-0 IEC/EN60079-1
 ISO14119 EN60947-5-1 EN60204-1
 ISO13849-1 EN62061

Safety Classification and Reliability Data:
 Mechanical Reliability B10d 1.5 x 10⁶ operations at 100mA load
 ISO13849-1 Up to PLe depending upon system architecture
 Safety Data – Annual Usage 8 cycles per hour/24 hours per day/365 days
 MTTFd 214 years
 Enclosure Protection IP69K IP67
 Operating Temperature -20C +60C

Vibration IEC 68-2-6 10-50Hz + 1Hz
 Excursion 0.35mm 1 octave/min
 Internal Contact Switch Type LS-EX
 Classification Exd IIC T6 (-20 ≤ Ta ≤ +60C) Gb
 Ex tb IIIC T85C (-20 ≤ Ta ≤ +60C) Db
 Rated Voltage 250Vac
 Rated Current 2 Pole 4.0A 4 Pole 2.5A
 Cable Length 3m

Explosion Proof Emergency Stop Switches



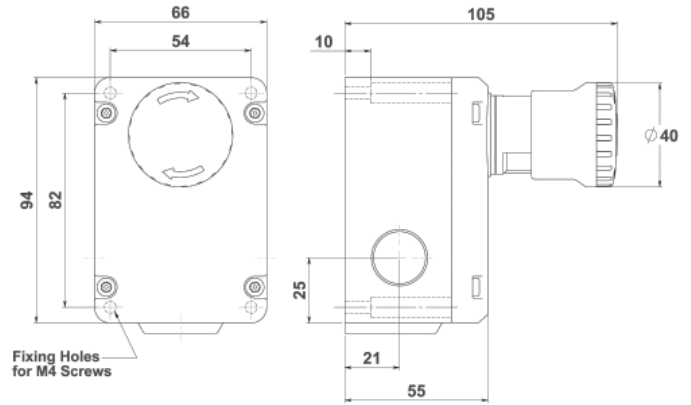
ESL-SS(P)-Ex ESL-SS-Ex STANDARD DUTY MUSHROOM BUTTON TYPES

ZONES 1 and 2

ZONES 21 and 22

GAS and DUST

(P) versions are built with a button protection shroud and padlock holes that enable lock off - especially useful in maintenance situations.



ESL-SS(P)-Ex



ESL-SS-Ex

All switches are pre-wired with 3m length of cabling through the cable glands as shown. Other lengths and cable exits available on request.

SALES NUMBER	TYPE	CONTACTS
232015	ESL-SS(P)-Ex	1NC 1NO
232016	ESL-SS(P)-Ex	2NC
232030	ESL-SS(P)-Ex	2NC 2NO
232007	ESL-SS-Ex	1NC 1NO
232008	ESL-SS-Ex	2NC
232029	ESL-SS-Ex	2NC 2NO

GLES-Ex GLES-SS-Ex HEAVY DUTY MUSHROOM BUTTON TYPES

ZONES 1 and 2

ZONES 21 and 22

GAS and DUST

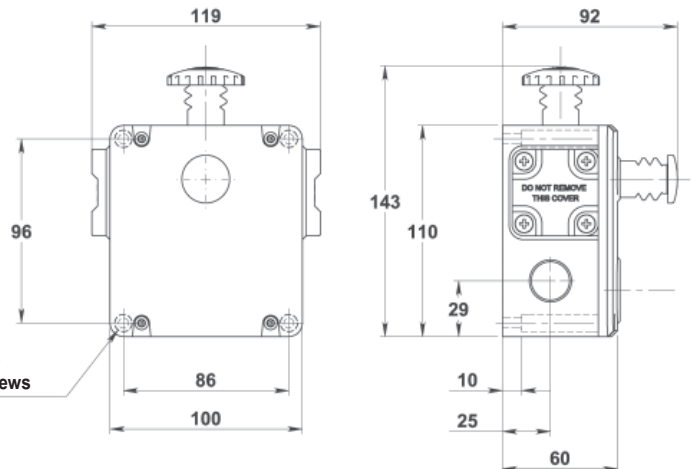


GLES-Ex



GLES-SS-Ex

All switches are pre-wired with 3m length of cabling through the cable glands as shown. Other lengths and cable exits available on request.



SALES NUMBER	TYPE	CONTACTS
146003	GLES-Ex	1NC 1NO
146004	GLES-Ex	3NC 1NO
146005	GLES-Ex	2NC
146006	GLES-Ex	2NC 2NO
147003	GLES-SS-Ex	1NC 1NO
147004	GLES-SS-Ex	3NC 1NO
147005	GLES-SS-Ex	2NC
147006	GLES-SS-Ex	2NC 2NO

All Dimensions in mm

