

D2xC1X05 Alarm Horn Sounder & Xenon Strobe 5J

The D2xC1X05 features a high output, 116dB(A) alarm horn sounder combined with a 5 Joule Xenon strobe warning light / beacon. Globally approved, the robust Type 4/4X, IP66 enclosure ensures suitability for all haz loc fire alarm and general signalling applications.

The corrosion proof, marine grade aluminium die cast enclosure is chromated and powder coated providing resilience in the harshest of hazardous location environments. One device, globally certified: ATEX, IECEx Zone 2 & 22; NEC/CEC CI D2 and CII D2; NEC CI Zone 2 and Zone 22; CEC Zone 2 & 22 and CII D2. UL & cUL approved 24Vdc version for fire alarm use.

Features

- 5 Joule Xenon beacon with 116dB(A) alarm horn
- UL464/UL1638 Fire Alarm
- Effective Intensity: 94.78 cd
- Peak Candela: 33,410 cd
- 64 alarm tones, 4 remotely selectable alarm stages/channels
- Field replaceable lens colour filters
- Dual cable entries
- Supplied with haz loc rated stopping plugs/adaptors

Approvals

- UL File ref: E230764
- IECEx cert: IECEx ULD 14.0004X
- ATEX cert: DEMKO 14 ATEX 4786493904X
- CSFM listing: 7136-2279:0503
- Ex EAC certified: EAC RU C GB.AA71.B.00273/20

Coding

- NEC / CEC:
 - Class I Div 2 ABCD T2B Ta -40°C to +70°C
 - Class I Div 2 ABCD T2C Ta -40°C to +55°C
 - Class I Div 2 ABCD T2D Ta -40°C to +40°C
 - Class II Div 2 FG T5 Ta -40°C to +50°C
 - Class III Div 1&2 Ta -40°C to +50°C
 - NEC:
 - Class I Zone 2 AEx ec IIC T2 Gc Ta -40°C to +50°C
 - Zone 22 AEx tc IIIC T120°C Dc Ta -40°C to +50°C
 - CEC:
 - Class I Zone 2 Ex ec IIC T2B Gc X Ta -40°C to +50°C
 - Class I Zone 2 Ex ec IIC T2C Gc X Ta -40°C to +45°C
 - Zone 22 Ex tc IIIC T120°C Dc Ta -40°C to +50°C
 - IECEx & ATEX:
 - II 3G Ex ec IIC T2 Gc Ta -40°C to +50°C
 - II 3D Ex tc IIIC T90°C Dc Ta -40°C to +50°C
- See product manual for full voltage specific coding.



Specification

Alarm Horn

Sounder:

Maximum output: 116dB(A) @ 1 metre [107dB(A) @ 10ft/3m]

Nominal output: 112dB(A) @ 1m +/- 3dB - Tone 2 [103dB(A) @ 10ft/3m]

No. of tones: 64 (UK00A / PFEER compliant)

No. of stages: 4

Volume control: Adjustable -12dB(A) [Tone 2]

Effective range: 125m/410ft @ 1KHz

Stage switching: DC units - Positive or Negative line.
AC units - common supply line

Xenon Strobe Beacon:

Energy: 5 Joules (5Ws)

Flash rate: 1Hz (60 fpm)

Peak Candela: 500,000 cd - calculated from energy (J)

Effective Intensity
cd: 250 cd - calculated from energy (J)

Peak Candela: 33,410 cd - measured ref. to I.E.S.

Effective Intensity: 94.78 cd - measured ref. to I.E.S.

Lens colours: Amber, Blue, Clear, Green, Magenta, Red & Yellow

Tube life: Emissions are reduced to 70% after 8 million flashes

General:

Voltages DC: 24V dc [20-28Vdc]; 48V dc [38-58Vdc]

In rush: 2.2A for <9ms

Voltages AC: 115V ac 50/60Hz; 230V ac 50/60Hz

Ingress protection: EN60529: IP66
UL50E / NEMA250: 4 / 4X / 3R / 13

Enclosure
material: Marine grade aluminium Al Si12 Cu

Enclosure colour: Red or Grey, custom colours available on request

Cable entries: 2 x M20 x 1.5mm threaded gland entries
Adaptors available to 1/2"NPT, 3/4"NPT and M25

Terminals: 0.5 - 2.5mm² (20-14 AWG)

Grounding stud: M5

Operating temp: -40 to +70°C [-40° to +158°F] - Class I Div 2
-40 to +50°C [-40° to +122°F] - All other approvals

Relative humidity: 95%

Weight: DC: 2.80kg/6.16lbs AC: 3.10kg/6.82lbs

Part Codes

Part Code: Identifier: Description:

Product type: D2xC1X05 Haz Loc alarm horn sounder & Xenon strobe warning light / beacon

Voltage: DC024 24V dc - UL/cUL Fire Alarm
DC048 48V dc
AC115 115V ac
AC230 230V ac

Cable Entry Type: A 2 x M20x1.5mm
[e] B 2 x 1/2" NPT - adaptors
C 2 x 3/4" NPT - adaptors
D 2 x M25x1.5mm - adaptors
E 1 x 1/2" NPT - adaptor
F 1 x 3/4" NPT - adaptor
G 1 x M25x1.5mm - adaptor

Stopping plug/
adaptor material: N Nickel Plated
[m] S Stainless Steel

Guard material &
tag: [s] 1 A4 316 Stainless Steel
3 A4 316 St/St with Equip. Tag
5 A4 316 St/St with Equip. Tag & Duty Label

Product version: [v]A UL, cUL, IECEx, ATEX, CSFM, Ex EAC

Product option: 1 Standard product
[o] T Tropicalisation
X Custom configuration - contact E2S

Enclosure colour: R Red
[x] G Grey
S Special colour - contact E2S

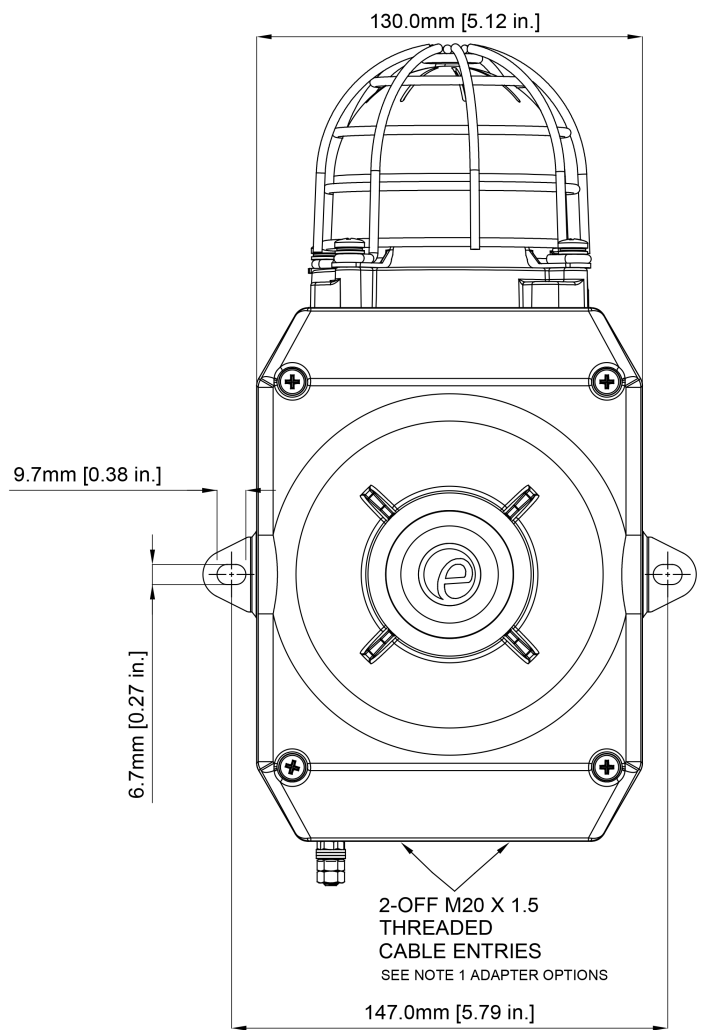
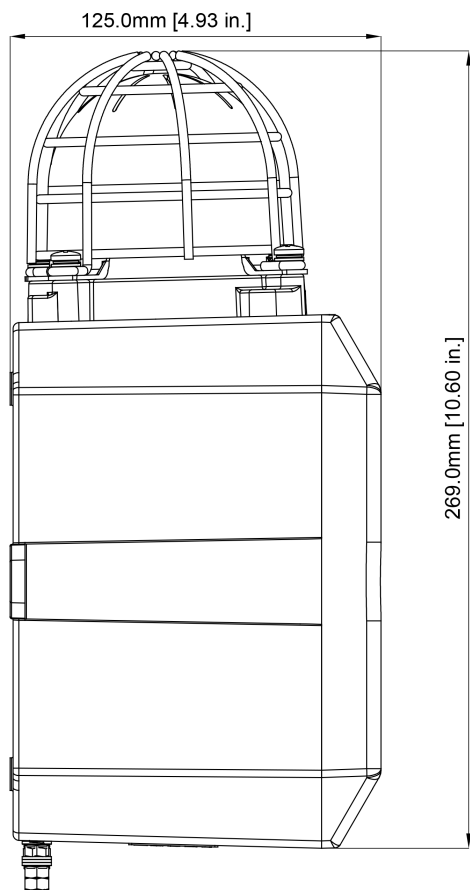
Lens colour: [y] A Amber
B Blue
C Clear
G Green
M Magenta
R Red
Y Yellow

Accessories:

SP65-0001-A4 Pole Mount Bracket Kit St/St A4 (316)
SP65-0003-A4 Sunshade - St/St A4 (316)

Current Consumption

Product Version:	Nominal Voltage:	Voltage Range:	Current Consumption:
Alarm Horn Sounder:			
DC024	24V dc	10-30V dc	313mA [at nominal voltage]
DC048	48V dc	38-58V dc	181mA [at nominal voltage]
AC115	115V ac 50/60Hz	+/-10%	89mA
AC230	230V ac 50/60Hz	+/-10%	52mA
Xenon Strobe Beacon:			
DC024	24V dc	20-28V dc	275mA [at nominal voltage]
DC048	48V dc	42-54V dc	145mA [at nominal voltage]
AC115	115V ac 50/60Hz	+/-10%	80mA
AC230	230V ac 50/60Hz	+/-10%	30mA
Combined Horn & Strobe:			
DC024	24V dc	20-28V dc	513mA [at nominal voltage]
DC048	48V dc	42-54V dc	311mA [at nominal voltage]
AC115	115V ac 50/60Hz	+/-10%	174mA
AC230	230V ac 50/60Hz	+/-10%	63mA



Tone table

S 1	Description	S 2	S 3	S 4	S 1	Description	S 2	S 3	S 4
T 1	1000 Continuous - PFEER Toxic Gas	T 3	T 2	T 44	T 33	800 (0.25s on, 1.00s off) Intermittent	T 53	T 24	T 8
T 2	1200/500 @ 1Hz Sweeping - DIN / PFEER P.T.A.P.	T 1	T 3	T 44	T 34	800 @ 2Hz (0.25s on, 0.25s off) - IMO code 3...	T 56	T 24	T 8
T 3	1000 @ 0.5Hz (1s on, 1s off) Intermittent - P...	T 1	T 2	T 44	T 35	1000 @ 1Hz (0.50s on, 0.50s off) Intermittent	T 44	T 24	T 8
T 4	1.4KH-1.6KHz 1s, 1.6KHz-1.4KHz 0.5s - NF C 48...	T 44	T 24	T 1	T 36	2400 @ 1Hz (0.50s on, 0.50s off) Intermittent	T 21	T 24	T 8
T 5	544(100mS)/440 (400mS) - NF S 32-001	T 52	T 19	T 1	T 37	2900 @ 5Hz (0.10s on, 0.10s off) Intermittent	T 53	T 24	T 8
T 6	1500/500 - (0.5s on , 0.5s off) x3 + 1s gap -...	T 7	T 44	T 1	T 38	363/518 @ 1Hz (0.50s / 0.50s) Alternating	T 1	T 8	T 19
T 7	500-1500Hz Sweeping 2 sec on 1 sec off - AS4428	T 6	T 44	T 1	T 39	450/500 @ 2Hz (0.25s / 0.25s) Alternating	T 1	T 8	T 19
T 8	500/1200Hz @ 0.26Hz(3.3s on, 0.5s off) - NEN ...	T 44	T 24	T 35	T 40	554/440 @ 1Hz (0.50s / 0.50s) Alternating	T 44	T 24	T 19
T 9	1000 (1s on, 1s off)x7 + (7s on, 1s off) - IM...	T 18	T 34	T 1	T 41	554/440 @ 0.65Hz (0.76s / 0.76s) Alternating	T 1	T 8	T 19
T 10	1000 (1s on, 1s off)x7 + (7s on, 1s off) - IM...	T 21	T 34	T 1	T 42	561/760 @ 0.83Hz (0.60s / 0.60s) Alternating	T 1	T 8	T 19
T 11	420(0.5s on, 0.5s off)x3 + 1s gap - ISO 8201 ...	T 44	T 1	T 8	T 43	780/600 @ 0.96Hz (0.52s / 0.52s) Alternating	T 1	T 8	T 19
T 12	1000(0.5s on, 0.5s off)x3 + 1s gap - ISO 8201...	T 44	T 1	T 8	T 44	800/1000 @ 2Hz (0.25s / 0.25s) Alternating	T 5	T 24	T 19
T 13	422/775 - (0.85 on, 0.5 off) x3 + 1s gap - ...	T 44	T 1	T 8	T 45	970/800 @ 2Hz (0.25s / 0.25s) Alternating	T 1	T 8	T 19
T 14	1000/2000 @ 1Hz - Singapore	T 23	T 3	T 35	T 46	800/1000 @ 0.875Hz (0.57s / 0.57s) Alternating	T 53	T 24	T 19
T 15	300 Continuous	T 44	T 24	T 35	T 47	2400/2900 @ 2Hz (0.25s / 0.25s) Alternating	T 57	T 24	T 19
T 16	440 Continuous	T 44	T 24	T 35	T 48	500/1200 @ 0.3Hz (1.67s / 1.67s) Sweeping	T 44	T 24	T 12
T 17	470 Continuous	T 44	T 24	T 35	T 49	560/1055 @ 0.18Hz (2.73s / 2.73s) Sweeping	T 44	T 24	T 12
T 18	500 Continuous - IMO code 2 (Low)	T 44	T 24	T 35	T 50	560/1055 @ 3.3Hz (0.15s / 0.15s) Sweeping	T 44	T 24	T 12
T 19	554 Continuous	T 64	T 24	T 35	T 51	600/1250 @ 0.125Hz (4s / 4s) Sweeping	T 44	T 24	T 12
T 20	660 Continuous	T 44	T 24	T 35	T 52	660/1200 @ 1Hz (0.50s / 0.50s) Sweeping	T 64	T 24	T 12
T 21	800 Continuous - IMO code 2 (High)	T 44	T 24	T 35	T 53	800/1000 @ 1Hz (0.50s / 0.50s) Sweeping	T 56	T 24	T 12
T 22	1200 Continuous	T 44	T 24	T 35	T 54	800/1000 @ 7Hz (0.07s / 0.07s) Sweeping	T 57	T 24	T 12
T 23	2000 Continuous	T 15	T 3	T 35	T 55	800/1000 @ 50Hz (0.01s / 0.01s) Sweeping	T 54	T 24	T 12
T 24	2400 Continuous	T 48	T 20	T 35	T 56	2400/2900 @ 7Hz (0.07s / 0.07s) Sweeping	T 57	T 24	T 12
T 25	440 @ 0.83Hz (0.60s on, 0.60s off) Intermittent	T 1	T 44	T 8	T 57	2400/2900 @ 1Hz (0.50s / 0.50s) Sweeping	T 47	T 24	T 12
T 26	470 @ 0.9Hz (0.55s on, 0.55s off) Intermittent	T 1	T 44	T 8	T 58	2400/2900 @ 50Hz (0.01s / 0.01s) Sweeping	T 54	T 24	T 12
T 27	470 @ 5Hz (0.10s on, 0.10s off) Intermittent	T 1	T 44	T 8	T 59	2500/3000 @ 2Hz (0.25s / 0.25s) Sweeping	T 44	T 24	T 12
T 28	544 @ 1.14Hz (0.43s on, 0.44s off) Intermittent	T 44	T 24	T 8	T 60	2500/3000 @ 7.7Hz (0.65s / 0.65s) Sweeping	T 44	T 24	T 12
T 29	655 @ 0.875Hz (0.57s on, 0.57s off) Intermittent	T 1	T 44	T 8	T 61	800Hz Motor Siren	T 44	T 24	T 12
T 30	660 @ 0.28Hz (1.80s on, 1.80s off) Intermittent	T 44	T 24	T 8	T 62	1200Hz Motor Siren	T 44	T 24	T 12
T 31	660 @ 3.3Hz (0.15s on, 0.15s off) Intermittent	T 30	T 24	T 8	T 63	2400Hz Motor Siren	T 44	T 24	T 12
T 32	745 @ 1Hz (0.50s on, 0.50s off) Intermittent	T 44	T 24	T 8	T 64	Simulated Bell	T 44	T 21	T 12

D2xC1X10 Alarm Horn Sounder & Xenon Strobe 10J

The D2xC1X10 features a high output, 116dB(A) alarm horn sounder combined with a 10 Joule Xenon strobe warning light / beacon. Globally approved, the robust Type 4/4X, IP66 enclosure ensures suitability for all haz loc fire alarm and general signalling applications.

The corrosion proof, marine grade aluminium die cast enclosure is chromated and powder coated providing resilience in the harshest of hazardous location environments. One device, globally certified: ATEX, IECEx Zone 2 & 22; NEC/CEC CI D2 and CII D2; NEC CI Zone 2 and Zone 22; CEC Zone 2 & 22 and CII D2. UL & cUL approved 24Vdc version for fire alarm use.

Features

- 10 Joule Xenon beacon with 116dB(A) alarm horn
- UL464/UL1638 Fire Alarm
- Effective Intensity: 288.8 cd
- Peak Candela: 101,784 cd
- 64 alarm tones, 4 remotely selectable alarm stages/channels
- Field replaceable lens colour filters
- Dual cable entries
- Supplied with haz loc rated stopping plugs/adaptors

Approvals

- UL File ref: E230764
- IECEx cert: IECEx ULD 14.0004X
- ATEX cert: DEMKO 14 ATEX 4786493904X
- CSFM listing: 7136-2279:0503
- Ex EAC certified: EAC RU C GB.AA71.B.00273/20

Coding

- NEC / CEC:
 - Class I Div 2 ABCD T1 Ta -40°C to +70°C
 - Class I Div 2 ABCD T2 Ta -40°C to +50°C
 - Class II Div 2 FG T4A Ta -40°C to +50°C (T5 to +40°C)
 - Class III Div 1&2 Ta -40°C to +50°C
 - NEC:
 - Class I, Zone 2 AEx ec IIC T1 Gc Ta -40°C to +50°C
 - Class I, Zone 2 AEx ec IIC T2 Gc Ta -40°C to +40°C
 - Zone 22 AEx tc IIIC T120°C Dc Ta -40°C to +50°C
 - CEC:
 - Class I Zone 2 Ex ec IIC T1 Gc X Ta -40°C to +50°C
 - Class I Zone 2 Ex ec IIC T2 Gc X Ta -40°C to +40°C
 - Zone 22 Ex tc IIIC T120°C Dc Ta -40°C to +50°C
 - IECEx & ATEX:
 - II 3G Ex ec IIC T1 Gc Ta -40°C to +50°C
 - II 3G Ex ec IIC T2 Gc Ta -40°C to +40°C
 - II 3D Ex tc IIIC T110°C Dc Ta -40°C to +50°C
- See product manual for full voltage specific coding.



Specification

Alarm Horn

Sounder:

Maximum output: 116dB(A) @ 1 metre [107dB(A) @ 10ft/3m]

Nominal output: 112dB(A) @ 1m +/- 3dB - Tone 2 [103dB(A) @ 10ft/3m]

No. of tones: 64 (UK00A / PFEER compliant)

No. of stages: 4

Volume control: Adjustable -12dB(A) [Tone 2]

Effective range: 125m/410ft @ 1KHz

Stage switching: DC units - Positive or Negative line.
AC units - common supply line

Xenon Strobe Beacon:

Energy: 10 Joules (10Ws)

Flash rate: 1Hz (60 fpm)

Peak Candela: 1,000,000 cd - calculated from energy (J)

Effective Intensity: 500 cd - calculated from energy (J)

Peak Candela: 101,784 cd - measured ref. to I.E.S.

Effective Intensity: 288.8 cd - measured ref. to I.E.S.
cd:

Lens colours: Amber, Blue, Clear, Green, Magenta, Red & Yellow

Tube life: Emissions are reduced to 70% after 8 million flashes

General:

Voltages DC: 24V dc [20-28Vdc]

In rush: 2.6A for <9ms

Voltages AC: 115V ac 50/60Hz; 230V ac 50/60Hz

Ingress protection: EN60529: IP66
UL50E / NEMA250: 4 / 4X / 3R / 13

Enclosure material: Marine grade aluminium Al Si12 Cu

Enclosure colour: Red or Grey, custom colours available on request

Cable entries: 2 x M20 x 1.5mm threaded gland entries
Adaptors available to 1/2"NPT, 3/4"NPT and M25

Terminals: 0.5 - 2.5mm² (20-14 AWG)

Grounding stud: M5

Operating temp: -40 to +70°C [-40° to +158°F] - Class I Div 2
-40 to +50°C [-40° to +122°F] - All other approvals

Relative humidity: 95%

Weight: DC: 2.80kg/6.16lbs AC: 3.10kg/6.82lbs

Part Codes

Part Code: Identifier: Description:

Product type: D2xC1X10 Haz Loc alarm horn sounder & Xenon strobe warning light / beacon

Voltage: DC024 24V dc - UL/cUL Fire Alarm
DC048 48V dc
AC115 115V ac
AC230 230V ac

Cable Entry Type: A 2 x M20x1.5mm
[e] B 2 x 1/2" NPT - adaptors
C 2 x 3/4" NPT - adaptors
D 2 x M25x1.5mm - adaptors
E 1 x 1/2" NPT - adaptor
F 1 x 3/4" NPT - adaptor
G 1 x M25x1.5mm - adaptor

Stopping plug/
adaptor material: N Nickel Plated
[m] S Stainless Steel

Guard material & tag: [s] 1 A4 316 Stainless Steel
3 A4 316 St/St with Equip. Tag
5 A4 316 St/St with Equip. Tag & Duty Label

Product version: [v]A UL, cUL, IECEx, ATEX, CSFM, Ex EAC

Product option: 1 Standard product
[o] T Tropicalisation
X Custom configuration - contact E2S

Enclosure colour: R Red
[x] G Grey
S Special colour - contact E2S

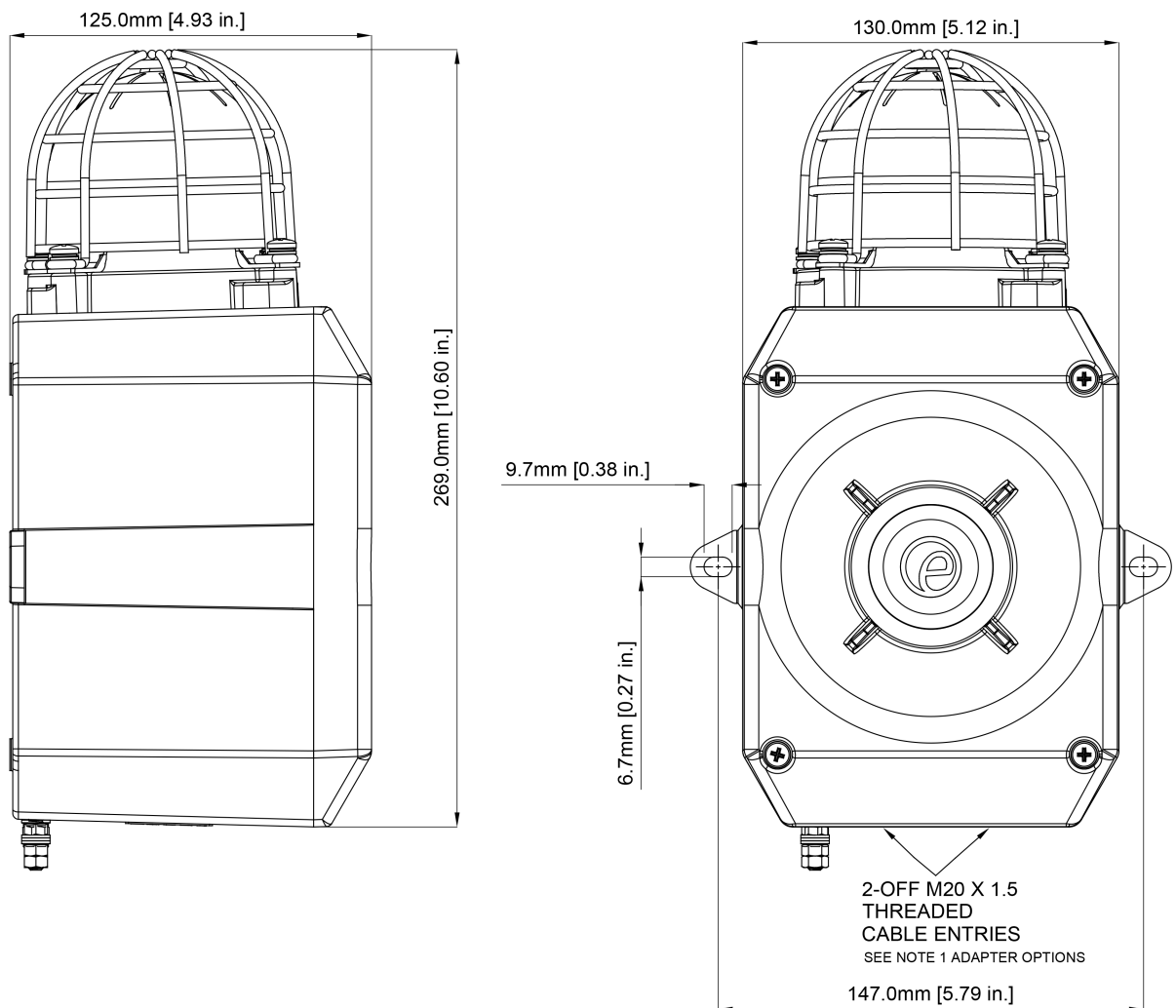
Lens colour: [y] A Amber
B Blue
C Clear
G Green
M Magenta
R Red
Y Yellow

Accessories:

SP65-0001-A4 Pole Mount Bracket Kit St/St A4 (316)
SP65-0003-A4 Sunshade - St/St A4 (316)

Current Consumption

Product Version:	Nominal Voltage:	Voltage Range:	Current Consumption:
Alarm Horn Sounder:			
DC024	24V dc	10-30V dc	313mA [at nominal voltage]
DC048	48V dc	38-58V dc	181mA [at nominal voltage]
AC115	115V ac 50/60Hz	+/-10%	89mA
AC230	230V ac 50/60Hz	+/-10%	52mA
Xenon Strobe Beacon:			
DC024	24V dc	20-28V dc	560mA [at nominal voltage]
DC048	48V dc	42-54V dc	260mA [at nominal voltage]
AC115	115V ac 50/60Hz	+/-10%	185mA
AC230	230V ac 50/60Hz	+/-10%	107mA
Combined Horn & Strobe:			
DC024	24V dc	20-28V dc	876mA [at nominal voltage]
DC048	48V dc	42-54V dc	461mA [at nominal voltage]
AC115	115V ac 50/60Hz	+/-10%	320mA
AC230	230V ac 50/60Hz	+/-10%	100mA



Tone table

S 1	Description	S 2	S 3	S 4	S 1	Description	S 2	S 3	S 4
T 1	1000 Continuous - PFEER Toxic Gas	T 3	T 2	T 44	T 33	800 (0.25s on, 1.00s off) Intermittent	T 53	T 24	T 8
T 2	1200/500 @ 1Hz Sweeping - DIN / PFEER P.T.A.P.	T 1	T 3	T 44	T 34	800 @ 2Hz (0.25s on, 0.25s off) - IMO code 3...	T 56	T 24	T 8
T 3	1000 @ 0.5Hz (1s on, 1s off) Intermittent - P...	T 1	T 2	T 44	T 35	1000 @ 1Hz (0.50s on, 0.50s off) Intermittent	T 44	T 24	T 8
T 4	1.4KH-1.6KHz 1s, 1.6KHz-1.4KHz 0.5s - NF C 48...	T 44	T 24	T 1	T 36	2400 @ 1Hz (0.50s on, 0.50s off) Intermittent	T 21	T 24	T 8
T 5	544(100mS)/440 (400mS) - NF S 32-001	T 52	T 19	T 1	T 37	2900 @ 5Hz (0.10s on, 0.10s off) Intermittent	T 53	T 24	T 8
T 6	1500/500 - (0.5s on , 0.5s off) x3 + 1s gap -...	T 7	T 44	T 1	T 38	363/518 @ 1Hz (0.50s / 0.50s) Alternating	T 1	T 8	T 19
T 7	500-1500Hz Sweeping 2 sec on 1 sec off - AS4428	T 6	T 44	T 1	T 39	450/500 @ 2Hz (0.25s / 0.25s) Alternating	T 1	T 8	T 19
T 8	500/1200Hz @ 0.26Hz(3.3s on, 0.5s off) - NEN ...	T 44	T 24	T 35	T 40	554/440 @ 1Hz (0.50s / 0.50s) Alternating	T 44	T 24	T 19
T 9	1000 (1s on, 1s off)x7 + (7s on, 1s off) - IM...	T 18	T 34	T 1	T 41	554/440 @ 0.65Hz (0.76s / 0.76s) Alternating	T 1	T 8	T 19
T 10	1000 (1s on, 1s off)x7 + (7s on, 1s off) - IM...	T 21	T 34	T 1	T 42	561/760 @ 0.83Hz (0.60s / 0.60s) Alternating	T 1	T 8	T 19
T 11	420(0.5s on, 0.5s off)x3 + 1s gap - ISO 8201 ...	T 44	T 1	T 8	T 43	780/600 @ 0.96Hz (0.52s / 0.52s) Alternating	T 1	T 8	T 19
T 12	1000(0.5s on, 0.5s off)x3 + 1s gap - ISO 8201...	T 44	T 1	T 8	T 44	800/1000 @ 2Hz (0.25s / 0.25s) Alternating	T 5	T 24	T 19
T 13	422/775 - (0.85 on, 0.5 off) x3 + 1s gap - ...	T 44	T 1	T 8	T 45	970/800 @ 2Hz (0.25s / 0.25s) Alternating	T 1	T 8	T 19
T 14	1000/2000 @ 1Hz - Singapore	T 23	T 3	T 35	T 46	800/1000 @ 0.875Hz (0.57s / 0.57s) Alternating	T 53	T 24	T 19
T 15	300 Continuous	T 44	T 24	T 35	T 47	2400/2900 @ 2Hz (0.25s / 0.25s) Alternating	T 57	T 24	T 19
T 16	440 Continuous	T 44	T 24	T 35	T 48	500/1200 @ 0.3Hz (1.67s / 1.67s) Sweeping	T 44	T 24	T 12
T 17	470 Continuous	T 44	T 24	T 35	T 49	560/1055 @ 0.18Hz (2.73s / 2.73s) Sweeping	T 44	T 24	T 12
T 18	500 Continuous - IMO code 2 (Low)	T 44	T 24	T 35	T 50	560/1055 @ 3.3Hz (0.15s / 0.15s) Sweeping	T 44	T 24	T 12
T 19	554 Continuous	T 64	T 24	T 35	T 51	600/1250 @ 0.125Hz (4s / 4s) Sweeping	T 44	T 24	T 12
T 20	660 Continuous	T 44	T 24	T 35	T 52	660/1200 @ 1Hz (0.50s / 0.50s) Sweeping	T 64	T 24	T 12
T 21	800 Continuous - IMO code 2 (High)	T 44	T 24	T 35	T 53	800/1000 @ 1Hz (0.50s / 0.50s) Sweeping	T 56	T 24	T 12
T 22	1200 Continuous	T 44	T 24	T 35	T 54	800/1000 @ 7Hz (0.07s / 0.07s) Sweeping	T 57	T 24	T 12
T 23	2000 Continuous	T 15	T 3	T 35	T 55	800/1000 @ 50Hz (0.01s / 0.01s) Sweeping	T 54	T 24	T 12
T 24	2400 Continuous	T 48	T 20	T 35	T 56	2400/2900 @ 7Hz (0.07s / 0.07s) Sweeping	T 57	T 24	T 12
T 25	440 @ 0.83Hz (0.60s on, 0.60s off) Intermittent	T 1	T 44	T 8	T 57	2400/2900 @ 1Hz (0.50s / 0.50s) Sweeping	T 47	T 24	T 12
T 26	470 @ 0.9Hz (0.55s on, 0.55s off) Intermittent	T 1	T 44	T 8	T 58	2400/2900 @ 50Hz (0.01s / 0.01s) Sweeping	T 54	T 24	T 12
T 27	470 @ 5Hz (0.10s on, 0.10s off) Intermittent	T 1	T 44	T 8	T 59	2500/3000 @ 2Hz (0.25s / 0.25s) Sweeping	T 44	T 24	T 12
T 28	544 @ 1.14Hz (0.43s on, 0.44s off) Intermittent	T 44	T 24	T 8	T 60	2500/3000 @ 7.7Hz (0.65s / 0.65s) Sweeping	T 44	T 24	T 12
T 29	655 @ 0.875Hz (0.57s on, 0.57s off) Intermittent	T 1	T 44	T 8	T 61	800Hz Motor Siren	T 44	T 24	T 12
T 30	660 @ 0.28Hz (1.80s on, 1.80s off) Intermittent	T 44	T 24	T 8	T 62	1200Hz Motor Siren	T 44	T 24	T 12
T 31	660 @ 3.3Hz (0.15s on, 0.15s off) Intermittent	T 30	T 24	T 8	T 63	2400Hz Motor Siren	T 44	T 24	T 12
T 32	745 @ 1Hz (0.50s on, 0.50s off) Intermittent	T 44	T 24	T 8	T 64	Simulated Bell	T 44	T 21	T 12