

D2xB1XH1 Haz Loc UL1971 Xenon Strobe

The D2xB1XH1 features a high output UL1971 rated 18.18cd, 5 Joule Xenon strobe warning light / beacon. Globally approved, the robust Type 4/4X, IP66 enclosure ensures suitability for all haz loc fire alarm and general signalling applications.

Multiple D2xB1XH1 units will auto-synchronize when powered from the same power source removing the need for any additional sync modules in the circuit. One device, worldwide certification: NEC/CEC CI D2 and CII D2; NEC CI Zone 2 and Zone 22; CEC Zone 2 & 22 and CII D2; ATEX, IECEx Zone 2 & 22. UL1638/UL1971 & CAN-ULC-S526 tested – suitable for public mode fire alarm, ADA compliant, hearing impaired applications.

Features

- UL1971/UL1638 Public mode fire
- CAN/ULC-S526 Fire approved
- 18.18 eff. candela
- Synchronised for over 2 hours per UL1971
- Xenon tube mechanically secured against vibration & shock
- Marine grade aluminum enclosure
- Ingress protection Type 4/4X/3R/13, IP66
- High impact resistant Borosilicate glass lens
- Stainless steel external and internal fixings
- Duplicate, pluggable cable terminations, supervisory diode
- Conduit mounting via integral 3/4" NPT entry
- Surface mounting via user installed lugs
- Pendant mounting via 3/4" NPT conduit entry
- Dual 1/2" NPT and M20 cable entries
- Supplied with haz loc rated stopping plugs/adaptors

Approvals

- UL/cUL File ref: E245313
- IECEx certificate: IECEx ULD 14.0004X
- ATEX certificate: DEMKO 14 ATEX 4786493904X
- CSFM certificate: 7300-2279:0500

Coding

- NEC / CEC:
 - Class I Div 2 ABCD T2D Ta -40°C to +50°C
 - Class I Div 2 ABCD T3 Ta -40°C to +45°C
 - Class II Div 2 FG T6 Ta -40°C to +50°C
 - Class III Div 1&2 Ta -40°C to +50°C
 - NEC:
 - Class I Zone 2 AEx ec IIC T2 Gc Ta -40°C to +50°C
 - Zone 22 AEx tc IIIC T80°C Dc Ta -40°C to +50°C
 - CEC:
 - Class I Zone 2 Ex ec IIC T2 Gc X Ta -40°C to +50°C
 - Zone 22 Ex tc IIIC T80°C Dc Ta -40°C to +50°C
 - IECEx & ATEX:
 - II 3G Ex ec IIC T2 Gc Ta -40°C to +50°C
 - II 3D Ex tc IIIC T80°C Dc Ta -40°C to +50°C
- See product manual for full voltage specific coding.



Specification

Energy:	5 Joules (5Ws)
Source:	Xenon strobe
Modes:	1Hz flash (60 fpm)
Effective cd:	18.18 cd – UL1971
Peak Candela:	500,000 cd – calculated from energy (J)
Effective cd:	250 cd – calculated from energy (J)
Synchronisation:	Flash rates synchronise for a minimum of 2 hours per UL1971
Voltages:	24Vdc – 20-28Vdc
Ingress protection:	IP rating per EN60529:IP66 Type rating per UL50E/NEMA250:4/4X/3R/13
Enclosure material:	Marine grade LM6 aluminum alloy
Enclosure colour:	Red
Lens colour:	Clear
Lens material:	Borosilicate glass dome
Cable entries:	2 x M20x1.5, 2 x 1/2"NPT, 1 x 3/4"NPT
Stopping plugs:	Nickel Plated Brass plugs included – brass or stainless steel optional
Mounting:	Conduit mount via 3/4" NPT entry Surface mount via supplied lug pack (user installed)
Ground/Earth stud:	M5
Terminals:	0.5 – 2.5mm ² (20-14 AWG)
Line monitoring:	Blocking diode included EOL can be factory fitted
Operating temp:	-40 to +50°C [-40° to +122°F]
Storage temp:	-40 to +70°C [-40° to +158°F]
Relative humidity:	95%
Weight:	1.5kg/3.31lbs

Part Codes

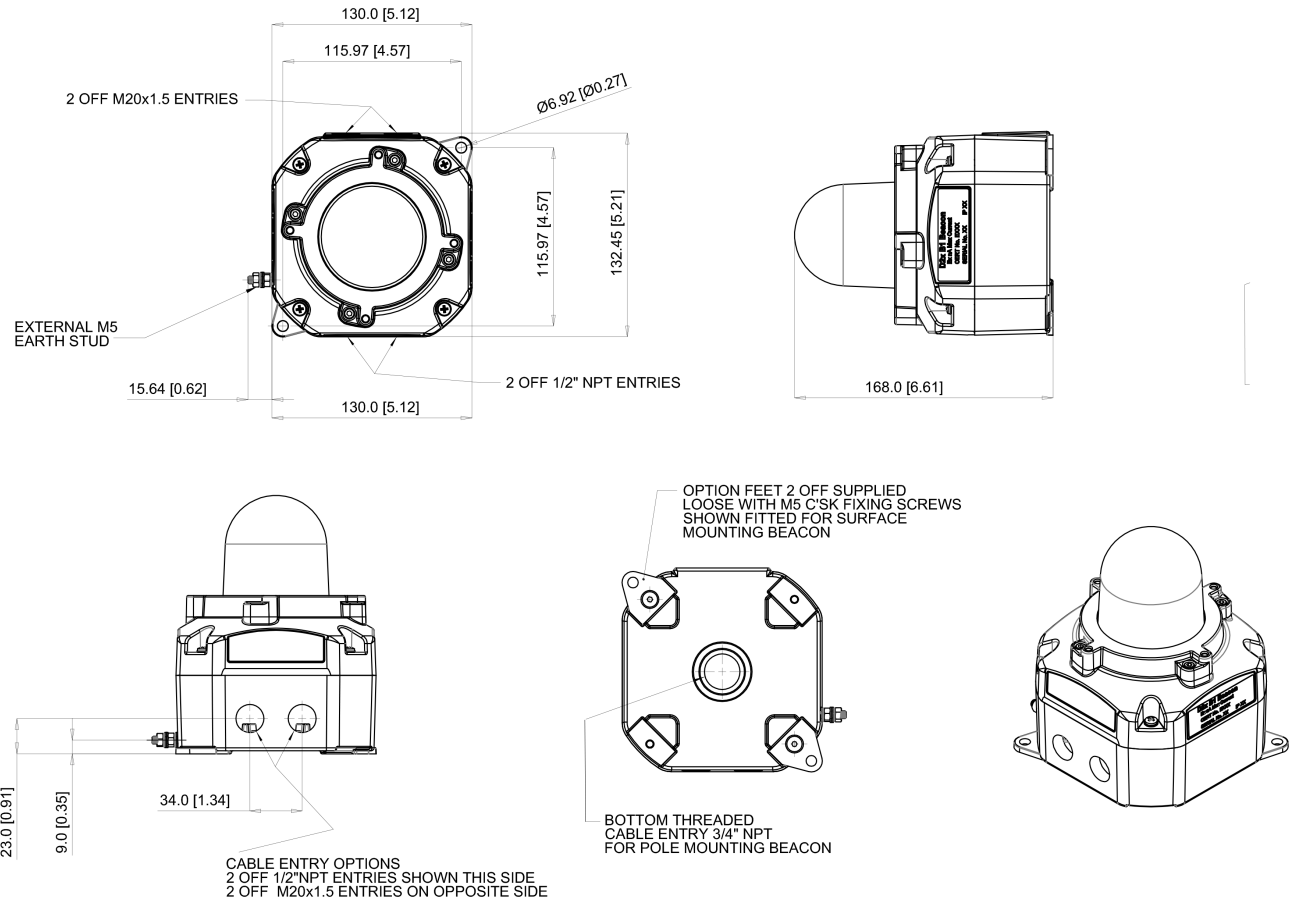
Part Code:	Identifier:	Description:
Product type:	D2xB1XH1	18.18cd 5 Joule Xenon Strobe warning light / beacon
Voltage:	DC024	24V dc (20-28Vdc)
Cable entries: [e]	M	2 x 1/2" NPT 2 x M20x1.5 1 x 3/4" NPT
Stopping plug material: [m]	N	Nickel plated brass
	S	Stainless Steel
Guard material & tag: [s]	0	No lens Guard
	3	No lens guard with Equip. Tag
	5	No lens guard with Equip. Tag & Duty Label
Product version: [v]	H	UL, cUL, ULC, IECEx, ATEX, CSFM
Product option: [o]	1	Standard product
	T	Tropicalisation
	X	Custom configuration – contact E2S
Enclosure colour: [x]	R	Red
Lens colour: [y]	C	Clear

Accessories:

SP65-0001-A4	Pole Mount Bracket Kit St/St A4 (316)
SP65-0003-A4	Sunshade – St/St A4 (316)

Current Consumption

Nominal Voltage:	In rush:	Voltage range:	Flash Rate setting:	Nominal operating current:
24V dc	800mA <5.4ms	20-28V dc	1Hz flash (60 fpm)	296mA



D2xB1XH2 Haz Loc UL1971 Xenon Strobe

The D2xB1XH2 features a high output UL1971 rated 70.29cd, 10 Joule Xenon strobe warning light / beacon. Globally approved, the robust Type 4/4X, IP66 enclosure ensures suitability for all haz loc fire alarm and general signalling applications.

Multiple D2xB1XH2 units will auto-synchronize when powered from the same power source removing the need for any additional sync modules in the circuit. One device, globally certified: NEC/CEC CI D2 and CII D2; NEC CI Zone 2 and Zone 22; CEC Zone 2 & 22 and CII D2; ATEX, IECEx Zone 2 & 22. UL1638/UL1971 & CAN-ULC-S526 tested – suitable for public mode fire alarm, ADA compliant, hearing impaired applications.

Features

- UL1971/UL1638 Public mode fire
- CAN/ULC-S526 Fire approved
- 70.29 eff. candela
- Synchronised for over 2 hours per UL1971
- Xenon tube mechanically secured against vibration & shock
- Marine grade aluminum enclosure
- Ingress protection Type 4/4X/3R/13, IP66
- High impact resistant Borosilicate glass lens
- Stainless steel external and internal fixings
- Duplicate, pluggable cable terminations, supervisory diode
- Conduit mounting via integral 3/4" NPT entry
- Surface mounting via user installed lugs
- Pendant mounting via 3/4" NPT conduit entry
- Dual 1/2" NPT and M20 cable entries
- Supplied with haz loc rated stopping plugs/adaptors

Approvals

- UL/cUL File ref: E245313
- IECEx certificate: IECEx ULD 14.0004X
- ATEX certificate: DEMKO 14 ATEX 4786493904X
- CSFM certificate: 7300-2279:0500

Coding

- NEC / CEC:
 - Class I Div 2 ABCD T1 Ta -40°C to +50°C
 - Class I Div 2 ABCD T2 Ta -40°C to +45°C
 - Class II Div 2 FG T4A Ta -40°C to +50°C
 - Class II Div 2 FG T5 Ta -40°C to +45°C
 - Class III Div 1&2 Ta -40°C to +50°C
- NEC:
 - Class I Zone 2 AEx ec IIC T1 Gc Ta -40°C to +50°C
 - Zone 22 AEx tc IIIC T105°C Dc Ta -40°C to +50°C
- CEC:
 - Class I Zone 2 Ex ec IIC T1 Gc X Ta -40°C to +50°C
 - Zone 22 Ex tc IIIC T105°C Dc Ta -40°C to +50°C
- IECEx & ATEX:
 - II 3G Ex ec IIC T1 Gc Ta -40°C to +50°C
 - II 3D Ex tc IIIC T105°C Dc Ta -40°C to +50°C

See product manual for full voltage specific coding



Specification

Energy:	10 Joules (10Ws)
Source:	Xenon strobe
Modes:	1Hz flash (60 fpm)
Effective cd:	70.29 cd – UL1971
Peak Candela:	1,000,000 cd – calculated from energy (J)
Effective cd:	500 cd – calculated from energy (J)
Synchronisation:	Flash rates synchronise for a minimum of 2 hours per UL1971
Voltages:	24Vdc – 20-28Vdc
Ingress protection:	IP rating per EN60529:IP66 Type rating per UL50E/NEMA250:4/4X/3R/13
Enclosure material:	Marine grade LM6 aluminum alloy
Enclosure colour:	Red
Lens colour:	Clear
Lens material:	Borosilicate glass dome
Cable entries:	2 x M20x1.5, 2 x 1/2"NPT, 1 x 3/4"NPT
Stopping plugs:	Nickel Plated Brass plugs included – brass or stainless steel optional
Mounting:	Conduit mount via 3/4" NPT entry Surface mount via optional lugs
Ground/Earth stud:	M5
Terminals:	0.5 – 2.5mm ² (20-14 AWG)
Line monitoring:	Blocking diode included EOL can be factory fitted
Operating temp:	-40 to +50°C [-40° to +122°F]
Storage temp:	-40 to +70°C [-40° to +158°F]
Relative humidity:	95%
Weight:	1.5kg/3.31lbs

Part Codes

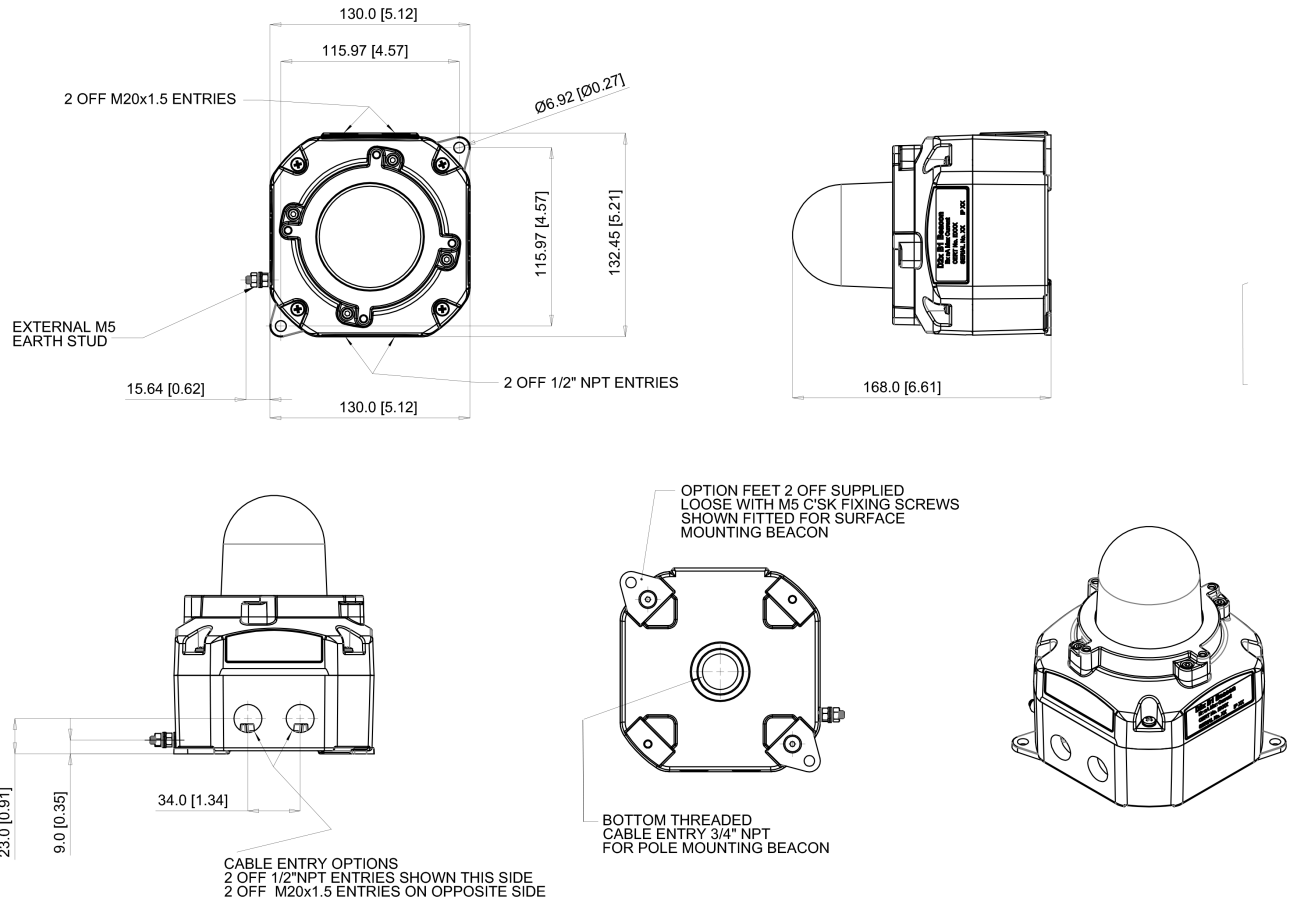
Part Code:	Identifier:	Description:
Product type:	D2xB1XH2	70.29cd 10 Joule Xenon Strobe warning light / beacon
Voltage:	DC024	24V dc (20-28Vdc)
Cable entries: [e]	M	2 x 1/2" NPT 2 x M20x1.5 1 x 3/4" NPT
Stopping plug material: [m]	N	Nickel plated brass
	S	Stainless Steel
Guard material & tag: [s]	0	No lens Guard
	3	No lens guard with Equip. Tag
	5	No lens guard with Equip. Tag & Duty Label
Product version: [v]	H	UL, cUL, ULC, IECEx, ATEX, CSFM
Product option: [o]	1	Standard product
	T	Tropicalisation
	X	Custom configuration – contact E2S
Enclosure colour: [x]	R	Red
Lens colour: [y]	C	Clear

Accessories:

SP65-0001-A4	Pole Mount Bracket Kit St/St A4 (316)
SP65-0003-A4	Sunshade – St/St A4 (316)

Current Consumption

Nominal Voltage:	In rush:	Voltage range:	Flash Rate setting:	Nominal operating current:
24V dc	828mA <4.4ms	20-28V dc	1Hz flash (60 fpm)	609mA



D2xB1LD3 UL1971 Haz Loc Synchronized LED Light

The haz loc D2xB1LD3 is an auto-synchronizing LED warning light / beacon tested to UL1971 for public mode fire alarm, ADA compliant, hearing impaired applications. UL1971 effective candela rating of 82.1cd. NFPA 72 compliant 20ms pulse.

The D2xB1LD3 utilizes an array of super high power Cree® LED's, orientated to optimize visibility in any direction. The 20ms pulse creates an intense flash comparative to a Xenon strobe. Multiple D2xB1LD3 units will auto-synchronize when powered from the same power source removing the need for any additional sync modules on the circuit. The D2xB1LD3 contains a supervisory diode and duplicated pluggable terminals that not only simplify installation but also enable a 4 wire connection. The unit is UL, cUL, ULC, ATEX and IECEx approved for hazardous area applications.

Features

- Public mode fire use UL1971 & CAN/ULC-S526
- Private mode fire use UL1638
- Synchronised for over 2 hours per UL1971
- 82.1 eff. candela - UL1971 Public mode fire
- 112.5 eff. candela - UL1638 Private mode fire
- 252.0 eff. candela - UL1638 General signaling
- Ultra low operating current of 153mA
- In rush limiting circuit: 1.18A
- Choice of four UL1971 tested flash rates: 1Hz, 1.3Hz, 1.5Hz & 2Hz
- Marine grade aluminum enclosure
- Ingress protection Type 4/4X/3R/13, IP66
- High impact resistant Borosilicate glass lens
- Duplicate, pluggable cable terminations, supervisory diode
- Surface mounting via user installed lugs
- Pendant mounting via 3/4"NPT conduit entry
- Dual 1/2"NPT and M20 cable entries
- Supplied with haz loc rated stopping plugs/adaptors

Approvals

- UL/cUL File ref: E245313
- IECEx certificate: IECEx ULD 14.0004X
- ATEX certificate: DEMKO 14 ATEX 4786493904X

Coding

- NEC / CEC:
 - Class I Div 2 ABCD T4 Ta -40°C to +50°C
 - Class II Div 2 FG T6 Ta -40°C to +50°C
 - Class III Div 1&2 Ta -40°C to +50°C
 - NEC:
 - Class I Zone 2 AEx ec IIC Gc T4 Ta -40°C to +50°C
 - Zone 22 AEx tc IIIC T75°C Dc Ta -40°C to +50°C
 - CEC:
 - Class I Zone 2 Ex ec IIC Gc X T4 Ta -40°C to +50°C
 - Zone 22 Ex tc IIIC T75°C Dc X Ta -40°C to +50°C
 - IECEx & ATEX:
 - II 3G Ex ec IIC T4 Gc Ta -40°C to +50°C
 - II 3D Ex tc IIIC T75°C Dc Ta -40°C to +50°C
- See product manual for full voltage specific coding.



Specification

Source:	Array of 3 x High Power Cree® LED's
Pulse width:	20ms – high intensity 'strobe' flash
Modes:	1Hz flash (60 fpm) 1.3Hz flash (80 fpm) 1.5Hz flash (90 fpm) 2Hz flash (120 fpm)
Eff. Intensity cd:	82.1 cd UL1971 Public mode fire
Eff. Intensity cd:	112.5 cd UL1638 Private mode fire
Eff. Intensity cd:	252.0 cd UL1638A General signaling
LED life:	>60,000 hours
Synchronisation:	Flash rates synchronise for a minimum of 2 hours per UL1971
Voltage:	24V dc (16-33V dc)
In-rush:	1.18A for 2ms
Ingress protection:	IP rating per EN60529:IP66 Type rating per UL50E/NEMA250:4/4X/3R/13
Enclosure material:	Marine grade LM6 aluminum alloy
Enclosure colour:	Red
Lens material:	Borosilicate glass
Cable entries:	2 x M20x1.5, 2 x 1/2"NPT, 1 x 3/4"NPT
Stopping plugs:	Nickel Plated Brass plugs included
Ground/Earth stud:	M5
Terminals:	0.5 – 2.5mm ² (20-14 AWG)
Line monitoring:	Blocking diode included EOL can be factory fitted
Operating temp:	-40 to +50°C [-40° to +122°F]
Storage temp:	-40 to +70°C [-40° to +158°F]
Relative humidity:	95%
Weight:	1.5kg/3.31lbs

Part Codes

Part Code:	Identifier:	Description:
Product type:	D2xB1LD3	Haz loc LED warning light / beacon
Voltage:	DC024	24V dc (16-33Vdc)
Cable entries: [e]	M	2 x 1/2" NPT 2 x M20x1.5 1 x 3/4" NPT
Stopping plug material: [m]	N S	Nickel plated brass Stainless Steel
Guard material & tag: [s]	0 3 5	No lens Guard No lens guard with Equip. Tag No lens guard with Equip. Tag & Duty Label
Product version: [v]H		UL, cUL, ULC, IECEx, ATEX, CSFM – UL1971
Product option: [o]	1 T X	Standard product Tropicalisation Custom configuration – contact E2S
Enclosure colour: [x]	R	Red
Lens colour: [y]	C	Clear
Accessories:		
SP65-0001-A4		Pole Mount Bracket Kit St/St A4 (316)
SP65-0003-A4		Sunshade – St/St A4 (316)

Current Consumption

Nominal Voltage:	In rush:	Voltage range:	Flash Rate setting:	Nominal operating current:
24V dc	1180mA <7.0ms	Regulated 16-33V dc	1Hz (60fpm) 1.3Hz (80 fpm) 1.5Hz (90fpm) 2Hz (120fpm)	153mA 189mA 203mA 248mA

