

# D1xJ2 Class I/II Div 1 Ex d Junction Box

The D1xJ2 is a versatile UL, cUL, IECEx & ATEX approved explosion proof junction box. The robust IP66 corrosion proof aluminium LM6 enclosure and extended temperature range ensures the D1xJ2 is suitable for all Class I/II Division 1/2, Zone 1, 2, 21 & 22 explosion proof applications

The robust, marine grade, copper free LM6 aluminum enclosure features a threaded flame path and up to seven cable entries. Surface mounted via integrated lugs. With a power rating of up to 10W the junction box can be configured with a 12 way standard terminal block, a 12 way DIN rail terminal block

## Features

- Robust, marine grade LM6 aluminum alloy enclosure
- Chromate & powder coated finish – anti-corrosion
- IP rating per EN60529:IP66
- Type rating per UL50E/NEMA250:4/4X/3R/13
- Threaded flame path simplifies installation and inspection
- Stopping plugs included
- 6 x side cable entries, 1 x pendant conduit entry

## Approvals

- UL/cUL/ULC – File ref: E245313
- IECEx Certificate: IECEx ULD 19.0006X
- ATEX Certificate: DEMKO 19 ATEX 2009X
- UKCA certificate: UL21UKEX2130X
- CSFM listing: 7300-2279:0508
- CCCEx certificate: 2022122303114970

## Coding

- ATEX / IECEx
  - II 2G Ex db IIC T4 Gb Ta -55°C to +80°C
  - II 2G Ex db IIC T5 Gb Ta -55°C to +70°C
  - II 2G Ex db IIC T6 Gb Ta -55°C to +55°C
  - II 2D Ex tb IIIC T106°C Db Ta -55°C to +80°C
- NEC Class / Zone
  - Class I Zone 1 AEx db IIC T4 Ta -55°C to +80°C
  - Class I Zone 1 AEx db IIC T5 Ta -55°C to +70°C
  - Class I Zone 1 AEx db IIC T6 Ta -55°C to +55°C
  - Zone 21 AEx tb IIIC T106°C Ta -55°C to +80°C
- CEC Class / Zone
  - Ex db IIC T4 Ta -55°C to +80°C
  - Ex db IIC T5 Ta -55°C to +70°C
  - Ex db IIC T6 Ta -55°C to +55°C
  - Ex tb IIIC T106°C Ta -55°C to +80°C
- NEC / CEC Class / Div
  - Class I Div 1 Group ABCD T4A Ta -55°C to +80°C
  - Class I Div 1 Group ABCD T5 Ta -55°C to +75°C
  - Class I Div 1 Group ABCD T6 Ta -55°C to +60°C
  - Class II Div 1 Group EFG T4A Ta -55°C to +80°C
  - Class III Div 1 Ta -55°C to +80°C

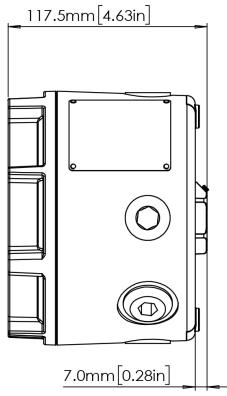


## Specification

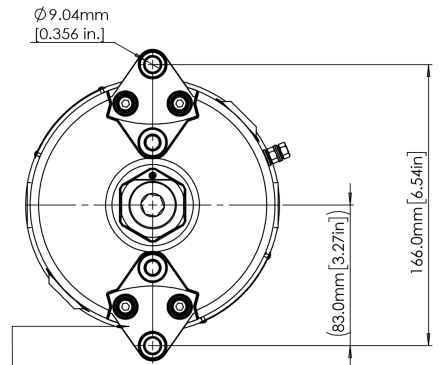
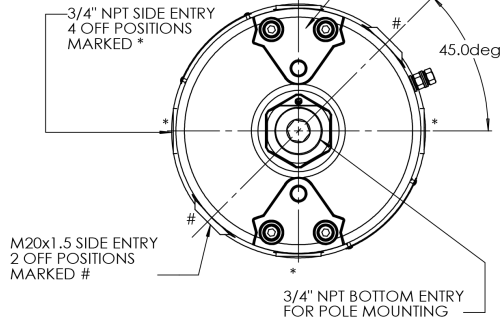
Terminals:	DIN Rail 12 × AKZ 2.5 Earth 4 × AKE 2.5 BK12 12 way Terminal Block
Voltages DC:	60Vdc max.
Voltages AC:	260Vac 50/60Hz max.
Power:	10W max.
Max. Current:	D1xJ2T01: 20A D1xJ2D01: 10A D1xJ2M01: 10A
Ingress protection:	IP rating per EN60529:IP66/67 Type rating per UL50E/NEMA250:4/4X/3R/13
Enclosure matl:	Marine grade LM6 aluminum alloy
Enclosure finish:	Chromate & powder coated finish – anti-corrosion
Enclosure colour:	Red or Grey
Cable entries:	Side: 4 × 3/4" NPT & 2 x M20x1.5 Pendant: 1 × 3/4" NPT
Stopping plugs:	Brass, Nickel Plated or Stainless Steel
Terminals:	0.5 – 2.5mm <sup>2</sup> (20-14 AWG)
Installation temp:	-55 to +80°C [-67° to +176°F]
Storage temp:	-55 to +80°C [-67° to +176°F]

## Part Codes

Version:	Part code:
Product type:	D1xJ2 Junction Box
Terminal configuration:	D01 DIN Rail 12 × AKZ 2.5 + 4 × AKE 2.5 T01 12 way Terminal Block M01 Custom module
Cable entries: [e]	M Side: 4 × 3/4" NPT & 2 x M20, Pendant: 1 × 3/4" NPT A NPT B Side: 4 x M20 (2 x adaptors) & 2 × 3/4" NPT, Pendant: 1 × 3/4" NPT Side: 2 × 1/2" NPT (adaptors), 4 × 3/4" NPT , Pendant: 1 × 3/4" NPT
Stopping plug material: [m]	B Brass N Nickel plated brass S Stainless steel
Equipment tag: [s]	1 No equipment tag 2 St.St. Equipment tag
Product version: [v]A1	UL, cUL, IECEx, ATEX, CCCEX
Product option: [o]	1 Standard product X Custom configuration – contact E2S
Enclosure colour: [x]	R Red G Grey S Special – contact E2S for alternative enclosure colours



2 OFF FEET SUPPLIED IN STOWED POSITION  
SUITABLE FOR POLE OR BRACKET  
MOUNTING BEACON  
RETAINED BY 2 OFF M5 SCREWS PER FOOT



2 OFF FEET CONFIGURED WITH MOUNTING  
FEET SET OUT FOR SURFACE MOUNTING  
RETAINED BY 2 OFF M5 SCREWS PER FOOT

BASE CONFIGURED WITH MOUNTING  
FEET SET OUT FOR SURFACE MOUNTING

