

E2xL25F PA Loudspeaker 25W

The hazardous area E2xL25F PA loudspeaker is UL/cULs approved for Class I Div 2 and Class II Div 2 as well as IECEx and ATEX certified for Zone 2 and 22 applications.

The E2xL25F is available with either a 70V or 100V line transformer or as a low impedance loudspeaker.

The E2x range features enclosures manufactured from lightweight, corrosion proof GRP and high impact, fire retardant ABS re-entrant flare horns; both of which are suitable for the harshest of environments.

Features

- Very large termination area.
- Ratchet adjustable stainless steel 'U' bracket.
- Transformer type fitted with thermal fuse
- Complies with BS5839 part 8

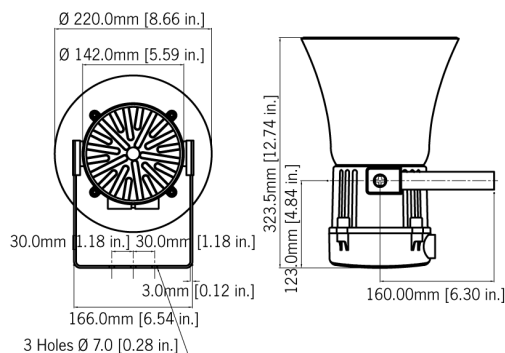
Approvals

- ATEX certificate: DEMKO 06 ATEX 0421554X,
- IECEx certificate: IECEx ULD 14.0012X
- UL/cUL File ref: E230764
- UKCA certificate: UL21UKEX2135X
- CSFM listing: 7136-2279:0505
- Ex EAC certified: EAC RU C-GB.AA71.B.00273/20

Coding

- IECEx / ATEX:
 - II 3G Ex ec IIC T2 Gc Ta -20°C to +55°C
 - II 3G Ex tc IIIC 85°C Dc Ta -20°C to +40°C
 - II 3G Ex tc IIIC 100°C Dc Ta -20°C to +55°C
- NEC Class / Zone ratings US:
 - Class I Zone 2 AEx ec IIC T2 Gc Ta -20°C to +55°C
 - Zone 22 AEx tc IIIC T85°C Dc Ta -20°C to +40°C
 - Zone 22 AEx tc IIIC T100°C Dc Ta -20°C to +55°C
- CEC Class / Zone ratings Canada
 - Class I Zone 2 Ex ec IIC T2 Gc X Ta -20°C to +55°C
 - Zone 22 Ex tc IIIC T85°C Dc Ta -20°C to +40°C
 - Zone 22 Ex tc IIIC T100°C Dc Ta -20°C to +55°C
- NEC & CEC Class / Division Ratings for US / Canada
 - Class I Div 2 Group ABCD T2C Ta -20°C to +55°C
 - Class I Div 2 Group ABCD T2D Ta -20°C to +40°C
 - Class II Div 2 Group FG T5 Ta -20°C to +55°C
 - Class II Div 2 Group FG T6 Ta -20°C to +40°C
 - Class III Div 1 & 2 Ta -20°C to +55°C





Specification

SPL:	111dB +/-3dB @ 1w @ 1m (Pink) 124dB +/-3dB @ 25w @ 1m (Rated)
Rated power:	25 Watts RMS
70v line tapings:	25w / 12.5w / 6w / 2w tapings (z=196 Ohms / 392 Ohms / 816.67 Ohms / 2.45k Ohms)
100v line tapings:	25w / 12.5w / 6w / 2w tapings (z=400 Ohms / 800 Ohms / 1.67k Ohms / 5k Ohms)
Low impedance:	8 Ohm or 16 Ohm
Dispersion:	130° @ 1kHz & 32° @ 4kHz
Frequency range:	300Hz to 8000 Hz
DC Line monitoring:	2.2 μ F Capacitor (Transformer version)
Ingress protection:	IP rating per EN60079-0:IP64 IP rating per EN60529:IP66 Type rating per UL50E/NEMA250:4/4X/13
Enclosure material:	UL94V0 GRP (PPS) & ABS
Cable entries:	Dual M20x1.5 or 1/2"NPT
Terminals:	0.5 - 2.5mm ² (20-14 AWG)
Operating temp:	-20 to +55°C [-4° to +131°F]
Storage temp:	-40 to +70°C [-40° to +158°F]
Relative humidity:	90% at 20°C [68°F]
MTBF V100/V070:	630.69 years / 5,524,861 hours - MIL 217
MTBF R008/R016:	830.22 years / 7,272,727 hours - MIL 217
Weight:	Low impedance: 2.75kg/6.05lbs Transformer: 3.25kg/7.15lbs

*SPL data +/-3dB(A). Measured at optimum voltage.

Part Codes

Part Code:	Ident.:	Description:
Product type:	E2XL25	
Horn type:	F	Flare Horn
Type:	V100 V070 R008 R016	100V Line 70V Line 8 Ohm Low impedance 16 Ohm Low impedance
Cable entries:	A B C	M20x1.5 & 1/2" NPT M20x1.5 & M20x1.5 1/2" NPT & 1/2" NPT
Stopping plug material:	N	Nylon
Bracket & tag: [s]	1 2 3 4	304 A2 Stainless Steel 316 A4 Stainless Steel 304 A2 Stainless Steel & Equip. Tag 316 A4 Stainless Steel & Equip. Tag
Approvals:	A1	UL, cULs, IECEx & ATEX
Enclosure:	B	Black
Accessories:	SP65-0001-A4 SP65-0003-A4	Pole Mount Bracket Kit St/St A4 (316) Sunshade - St/St A4 (316)