

# D1xCP1-PS Explosion Proof Manual Pull Station

The D1xCP1-PS is a cast aluminium manual alarm pull station available in a dual action configuration. These explosion proof stations have a DPDT switch mounted in heavy duty cast aluminium housings.

The solid design and rugged construction of the D1xCP1-PS station makes it ideal for use in harsh operating environments and hazardous locations. The D1xCP1-PS manual station is UL listed for use in the various classifications of hazardous environments shown in the specification table. The device has a NEMA type 4X rating for operation in extreme weather conditions and plant wash down applications. It is also UL Marine listed for operation in highly corrosive environments.

## Features

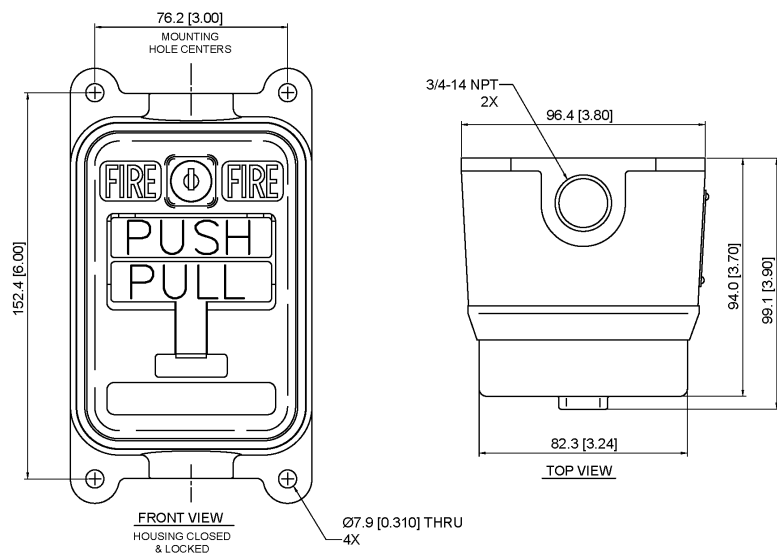
The D1xCP1-PS dual action model features a “PUSH” bar that moves inward, allowing the “PULL” handle to be grasped and operated by a single hand. The activated station is reset by opening the station with a key, placing the handle in the normal upright position, and re-locking the station.

- Explosion Hazard Classifications  
Class I, Div. 1, Group B, C and D  
Class II, Div. 1, Group E, F and G  
Class III, Div. 1
- Marine and NEMA type 4X Rated
- DPDT switch with screw terminal connection
- Dual Action
- DC and AC Voltage Contact Ratings
- Key Reset
- SIL2 compliant

## Approvals

- UL
- MEA
- SIL2 compliant





## Specification

Listings:	UL, MEA
Temperature:	-40°C to +65°C [-40° to 150°F]
Relative humidity:	95% at 20°C [68°F]
Switch Type:	Double Pole, Double Throw (DPDT)
Switch Rating:	1 Amp @ 30 VDC 10 Amp @ 120 VAC
IP Rating:	NEMA Type 4X (UL)
Other:	UL Marine Listed
Pull Station Weight:	4.8 lbs
Pull Station Dimensions:	6 5/16" h x 3 1/4" w x 3 7/8" d
Conduit Fittings:	Two - 3/4" - 14 NPT
Colour:	Red with raised white letters white "PULL" bar and white "PUSH" bar (Dual Action) with raised red letters

## Part Codes

Version:	Part code:	Description:
Product type:	D1XCP1PS	D1xCP1-PS Manual Pull Station
Switch Type: [s]	D	DPDT/DPCO
Cable entries: [e]	D	2 × 3/4"NPT -Default
	A	1 × 3/4"NPT & 1 × M20 (adaptor)
	B	2 × M20 (adaptors)
	C	2 × 1/2"NPT (adaptors)
	E	1 × 3/4"NPT & 1 × 1/2"NPT (adaptor)
Stopping plug: [m]	N	1 × 3/4"NPT Nickel Plated Brass
	S	1 × 3/4"NPT Stainless Steel
	X	None - Default (Cable entry option B, C or D)
Duty label / Equipment tag: [s]:	1	No Duty label, no Equip. tag
	2	Duty label Stainless Steel
	3	Duty label St/St + Equip. tag
	6	Equip. tag only
	7	Special label requirement
Version: [v]	A1	UL, SIL2
Enclosure colour: [x]	R	Red
Accessories:	SP65-0001-A4:	Pole Mount Bracket Kit St/St A4 (316)
	SP65-0002-A4:	Sunshade - St/St A4 (316)