

# BExCP3-PB Push Button Manual Call Point

The BExCP3-PB push button manual call points are designed for the harshest of environments and approved for Zone 1, 2, 21 and 22 explosion proof hazardous areas for the control of fire and gas alarm systems. SIL2 compliant to IEC61508 (2010).

The BEx range features enclosures manufactured from corrosion proof, marine grade, copper free LM6 (A413) aluminium with a chromated and powder coat finish. Available with and without monitoring resistors all versions are certified to IECEx and ATEX standards with additional PESO, INMETRO and Ex EAC approvals. The push button mechanism is protected by a spring loaded cover therefore the switch requires a two-action activation. The BExCP3-PB is user re-settable by rotating the push button.

## Features

- Alternative housing colours are available to meet specific requirements.
- DIN rail mounted terminal blocks: 8 × 2.5mm<sup>2</sup>
- Spring loaded lift flap.
- Metalised Polyester or stainless steel duty label.
- Series and/or End of Line resistors, diodes or Zener diodes.

## Approvals

- ATEX certificate: Sira 09ATEX3286X
- IECEx certificate: IECEx SIR 09.0121X
- INMETRO certificate: 10IEx-0011X
- Ex EAC TR CU 012/2011 certified: KZ.1510019.22.01.00271
- PESO CCOE certified: P471504
- SIL 2 certified to IEC 61508 (2010)
- ECAS Ex 20-06-14792/E20-06-002576/NB0007

## Coding

- BExCP3A-PB:  
II 2G Ex db eb IIC T6 Gb Ta = -40°C to +70°C  
II 2D Ex tb IIIC T75°C Db IP66
- BExCP3B-PB:  
II 2G Ex db eb mb IIC T4 Gb Ta = -40°C to +50°C  
II 2D Ex tb IIIC T60°C Db IP66
- BExCP3C-PB:  
II 2G Ex db eb mb IIC T4 Gb Ta = -40°C to +65°C  
II 2D Ex tb IIIC T75°C Db IP66



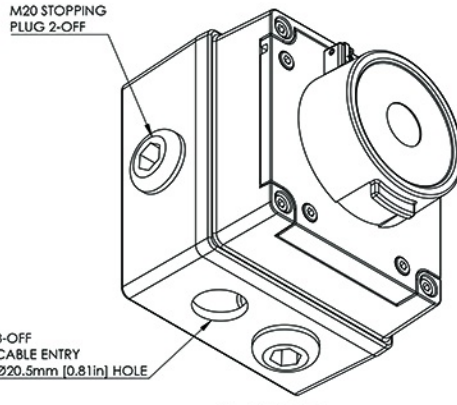
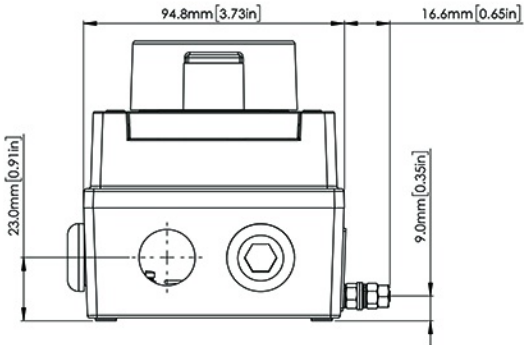
## Specification

<b>BExCP3A-PB:</b>	A version
Coding:	II 2G Ex db eb IIC T6 Gb Ta = -40°C to +70°C II 2D Ex tb IIIC T75°C Db IP66
Switch rating:	250V ac max. current 5.0A 250V dc max. current 0.25A 125V dc max. current 0.5A 75V dc max. current 0.75A 50V dc max. current 1.0A 30V dc max. current 5.0A max resistive, 3.0A inductive 12V dc max. current 5.0A
<b>BExCP3B-PB:</b>	B version
Coding:	II 2G Ex db eb mb IIC T4 Gb Ta = -40°C to +50°C II 2D Ex tb IIIC T60°C Db IP66
Switch rating:	48Vdc nom. 56Vdc max. 0.75A max. 24Vdc nom. 28Vdc max. 5.0A max. resistive, 3.0A inductive 12Vdc nom. 15Vdc max. 5.0A max. 6Vdc nom. 9Vdc max. 5.0A max.
Min. resistor (2W):	48V = 1K8 24V = 470R 12V = 120R 6V = 47R
<b>BExCP3C-PB:</b>	C version
Coding:	II 2G Ex db eb mb IIC T4 Gb Ta = -40°C to +65°C II 2D Ex tb IIIC T75°C Db IP66
Switch rating:	125V dc max. current 0.5A resistive, 0.03A inductive 75V dc max. current 0.75A 48V dc max. current 1.0A 24V dc max. current 5.0A max resistive, 3.0A inductive 12V dc max. current 5.0A 6V dc max. current 5A
Min. resistor (1.5W):	48V = 1K8 24V = 430R 12V = 110R 6V = 27R
Resistors (Current limited):	48V < 1K8 max. current: 31mA 24V < 430R max. current = 62mA 12V < 110R max. current: 125mA 6V < 27R max. current = 250mA
<b>General:</b>	
Ambient:	Ta = -40°C to +70°C [-40° to +158°F] (+50°C for BExCP3B, +65°C for BExCP3C)
Relative Humidity:	R.H. 95% @ 20°C
Switch:	Sealed - IP67
Ingress protection:	IP66/67
Enclosure material:	Marine grade copper free LM6 Aluminium
Enclosure finish:	Chromated & powder coated finish: anti-corrosion.
Colour:	RAL3000 Red (others available on request)
Cable entries:	2 x M20 clearance top and 1 x M20 clearance side. Back box can be rotated to give 2 x bottom and 1 x side entries Adapters available to 1/2"NPT, 3/4"NPT or M25
Stopping plugs:	2 x Ex e nylon plugs as standard Brass, nickel plated brass and stainless steel Ex d plugs optional
Terminals:	6 x 4.0mm <sup>2</sup> cables or or 8 x 2.5mm <sup>2</sup> DIN rail
MTBF:	1,079.94 years / 9,433,962 hours - MIL 217
Weight:	0.8Kg

## Part Codes

Version:	Part code variable:	Description:
Type:	BExCP3APB BExCP3BPB BExCP3CPB	Type A: no EOL devices Ta -40°C to +70°C Type B: with EOL devices Ta -40°C to +50°C Type C: with EOL devices Ta -40°C to +65°C
Switch Type: [s]	S	SPCO/SPDT
Terminals: [t]	S D	6 x 4mm <sup>2</sup> terminals DIN Rail 8 x SAK2.5 [B or C version only]
Lift flap: [l]	L	Lift flap supplied as standard
Cable Entry Type: [e]	A B C D E F G	3 x M20 2 x 1/2" NPT - adaptors 2 x 3/4" NPT - adaptors 2 x M25x1.5mm - adaptors 1 x 1/2" NPT - adaptor 1 x 3/4" NPT - adaptor 1 x M25x1.5mm - adaptor
Stopping plug material: [m]	B N P S	Brass Nylon Nickel Plated Brass Stainless Steel
Duty label / Equipment tag: [d]:	1 2 3 4 5 6 7	No Duty label, no Equip. tag Duty label Stainless Steel Duty label St/St + Equip. tag Duty label Metalised Polyester Duty label M. Poly. + Equip. tag Equip. tag only Special label requirement
Product version: [v]A		IECEX, ATEX, EAC, INMETRO, PESO approved
Product options: [o]	1 W	Standard product Alternative wiring option Config. 4 (B or C version only)
Enclosure colour: [x]	R B N Y V S K M Z	Red Blue Green Yellow Red/White Yellow/Black Black Magenta Red/Black
Default variable: [u]	N	Default = N - not currently used
Voltage: [v]	48, 24, 12, 6	System voltage Vdc (only required for BExCP3B or C type)
E.O.L.Module: [e] optional only for BExCP3B or C type	ExxxR ED1 ExxxZ	Resistor value in Ohms e.g. E470R = 470 Ohm Diode IN4007 = ED1 Zener diode e.g. E5V1Z = 5.1V
Series Module: [s] optional only for BExCP3B or C type	SxxxR SD1 SxxxZ	Resistor value in Ohms e.g. S1K5R = 1.5K Ohm Diode IN4007 = SD1 Zener diode e.g. S5V1Z = 5.1V
<b>Accessories:</b>	SP65-0001-A4 SP65-0002-A4	Pole Mount Bracket Kit St/St A4 (316) Sunshade - St/St A4 (316)

NOTE: BACK BOX CAN BE ORIENTATED WITH DUAL CABLE ENTRIES FACING UP OR DOWN



ISOMETRIC VIEW

