

GNExCP6-PB Push Button Manual Call Point

The flameproof GNExCP6-PB push button manual call points are approved for Zone 1, 2, 21 and 22 hazardous areas for the control of fire and gas alarm systems. The robust, lightweight GRP enclosure is UV stable and provides a corrosion free solution for initiation in harsh and hazardous applications on and offshore.

Available with optional EOL or series resistors, diode or Zener diodes and an LED indicator. Also available with either single or double pole change over switches. Certified to IECEx and ATEX standards with additional PESO, INMETRO and Ex EAC approvals. The push button mechanism is protected by a spring loaded cover therefore the switch requires a two-action activation. The GNExCP6-PB is user re-settable by rotating the push button.

Features

- Alternative housing colours are available to meet specific requirements
- Single or double pole c/o switch
- DIN rail mounted terminal blocks: 8 × 2.5mm²
- Metalised polyester or stainless steel “Duty” label
- Series and/or End of Line resistors, diodes & Zener diodes
- Optional Indicator LED

Approvals

- ATEX certificate: Sira 09ATEX3286X
- IECEx certificate: IECEx SIR 09.0121X
- SIL 2 certified to IEC 61508 (2010)
- Ex EAC TR CU 012/2011 certified: KZ.1510019.22.01.00271
- PESO CCOE certified: P471504
- INMETRO certificate: IEx_10.0011X
- ECAS Ex 20-06-14792/E20-06-002576/NB0007

Coding

- GNExCP6A-PB:
II 2G Ex db eb IIC T6 Gb Ta = -40°C to +75°C
II 2D Ex tb IIIC T75°C Db IP66
- GNExCP6B-PB:
II 2G Ex db eb mb IIC T4 Gb Ta = -40°C to +50°C
II 2D Ex tb IIIC T80°C Db IP66
- GNExCP6C-PB:
II 2G Ex db eb mb IIC T4 Gb Ta = -40°C to +65°C
II 2D Ex tb IIIC T75°C Db IP66

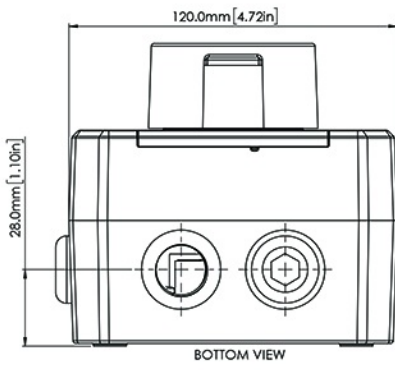


Specification

GNExCPA-PB:	A version
Coding:	II 2G Ex db eb IIC T6 Gb Ta = -40°C to +75°C II 2D Ex tb IIIC T75°C Db IP66
Switch rating:	250V ac max. current 5.0A 250V dc max. current 0.25A 125V dc max. current 0.5A 75V dc max. current 0.75A 50V dc max. current 1.0A 30V dc max. current 5.0A max resistive, 3.0A inductive 12V dc max. current 5.0A
GNExCPB-PB:	B version
Coding:	II 2G Ex db eb mb IIC T4 Gb Ta = -40°C to +50°C II 2D Ex tb IIIC T80°C Db IP66
Switch rating:	48Vdc nom. 56Vdc max. 0.75A max. 24Vdc nom. 28Vdc max. 5.0A max. resistive, 3.0A inductive 12Vdc nom. 15Vdc max. 5.0A max. 6Vdc nom. 9Vdc max. 5.0A max.
Min. resistor (2W):	48V = 1K8, 24V = 470R 12V = 120R, 6V = 47R
LED	Optional LED indicator assembly
GNExCPC-PB:	C version
Coding:	II 2G Ex db eb mb IIC T4 Gb Ta = -40°C to +65°C II 2D Ex tb IIIC T75°C Db IP66
Switch rating:	125V dc max. current 0.5A resistive, 0.03A inductive 75V dc max. current 0.75A 48V dc max. current 1.0A 24V dc max. current 5.0A max resistive, 3.0A inductive 12V dc max. current 5.0A 6V dc max. current 5A
Min. resistor (1.5W):	48V = 1K8, 24V = 430R 12V = 110R, 6V = 27R
Resistors (Current limited):	48V < 1K8 max. current: 31mA 24V < 430R max. current = 62mA 12V < 110R max. current: 125mA 6V < 27R max. current = 250mA
LED	Optional LED indicator assembly with or without current limiting resistor
General:	
Ambient:	Ta = -40°C to +75°C [-40° to +167°F] (+50°C for BExCP3B, +65°C for BExCP3C)
Switch:	Sealed - IP67
Ingress protection:	IP66
Enclosure material:	GRP - Glass Reinforced Polyester
Colour:	RAL3000 Red (others available on request)
Cable entries:	2 x M20 clearance top and 1 x M20 clearance side. Back box can be rotated to give 2 x bottom and 1 x side entries Adapters available to 1/2"NPT, 3/4"NPT or M25
Stopping plugs:	2 x Nylon plugs as standard Brass, nickel plated or stainless steel plugs optional
Terminals:	6 x 4.0mm ² cables or or 8 x 2.5mm ² DINrail
Relative Humidity:	R.H. 95% @ 20°C
MTBF:	1,079.94 years / 9,433,962 hours I- MIL 217
Weight:	1.3Kg/2.86lbs

Part Codes

Version:	Part code variable:	Description:
Type:	GNExCP6APBType A: no end of line devices Ta -40°C to GNExCP6BPB+75°C GNExCP6CPBType B: end of line devices Ta -40°C to +50°C Type C: end of line devices Ta -40°C to +65°C	
Switch Type: [s]	S D	SPCO/SPDT DPCO/DPDT
Terminals: [t]	D S	DIN Rail 8 x SAK2.5 6 x 4mm ² terminals Please note: 6x4mm ² terminals cannot be selected if a DPCO switch configuration with either a Series or EOL & Series device are required.
Lift flap: [l]	L	Lift flap supplied as standard
Cable Entry Type: [e]	A B C D E F G	3 x M20x1.5mm 2 x 1/2" NPT - adaptors 2 x 3/4" NPT - adaptors 2 x M25x1.5mm - adaptors 1 x 1/2" NPT - adaptor 1 x 3/4" NPT - adaptor 1 x M25x1.5mm - adaptor
Stopping plug material: [m]	B N P S	Brass Nylon Nickel Plated Brass Stainless Steel
Duty label / Equipment tag: [d]:	1 2 3 4 5 6 7	No Duty label, no Equip. tag Duty label Stainless Steel Duty label St/St + Equip. tag Duty label Metalised Polyester Duty label M. Poly. + Equip. tag Equip. tag only Special label requirement
Product version: [v]	A	IECEX, ATEX, EAC, INMETRO, PESO approved
Product option: [o]	1 W P V	Standard product Alternative wiring option Config. 4 or 8 (B or C version only) Dual switch parallel wiring (B or C version only) Dual switch parallel alt. wiring Config. 20 (B or C version only)
Enclosure colour: [x]	R B N Y V S K M Z	Red Blue Green Yellow Red/White Yellow/Black Black Magenta Red/Black
LED Indicator [u]	N L C	No LED indicator - Default: N for A versions LED indicator (GNExCP6B or C versions only) LED indicator (GNExCP6C versions only) max. current: 20mA
Voltage: [v]	48, 24, 12, 6	System voltage in Vdc (only required for GNExCP6B or C type)
E.O.L.Module: [e] optional only for GNExCP6B or C type	ExxxR ED1 ExxxZ	Resistor value in Ohms e.g. E470R = 470 Ohm Diode IN4007 = ED1 Zener diode e.g. E5V1Z = 5.1V
Series Module: [s] optional only for GNExCP6B or C type	SxxxR SD1 SxxxZ	Resistor value in Ohms e.g. S1K5R = 1.5K Ohm Diode IN4007 = SD1 Zener diode e.g. S5V1Z = 5.1V
Accessories:	SP65-0001-A4	Pole Mount Bracket Kit St/St A4 (316)



NOTE: BACK BOX CAN BE ORIENTATED WITH DUAL CABLE ENTRIES FACING UP OR DOWN

M20 x 1.5 IN 3 POSITIONS

NB: M20 X 1.5 Ex e APPROVED CABLE GLANDS OR STOPPING PLUGS TO BE USED ONLY

