

STExL1F PA Loudspeakers 15W

The STExL1F is a high output, 113dB(A) PA loudspeaker with a re-entrant flare horn. The high output driver in a robust IP66 corrosion proof 316L stainless steel enclosure ensures suitability for all Zone 1, 2, 21 & 22 applications.

Available with 70 or 100V line transformer or as low impedance versions, all models have triple cable entries, and large termination areas.

The termination chamber and cover feature a threaded flameproof joint simplifying both installation and routine maintenance.

Features

- Robust corrosion proof 316L stainless steel enclosure
- High output, up to 113dB(A) @ 15W
- Low impedance or line transformer versions
- Continuously rated
- Compact form factor
- Stainless steel fixings
- Ratchet adjustable 316 stainless steel bracket
- 316 Stainless steel stopping plugs included
- 3 x cable entries

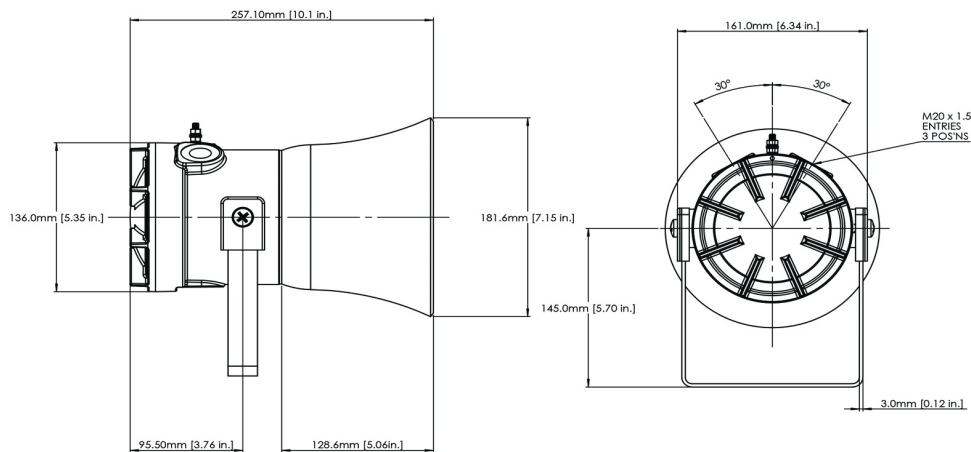
Approvals

- IECEx ULD 16.0017X
- ATEX DEMKO 16 ATEX 1466X
- TR-CU Ex EAC certificate: RU C-GB.HA65.B.01252_21

Coding

- Ex db IIC Gb T6 Ta -50°C to +55°C
- Ex db IIC Gb T5 Ta -50°C to +70°C
- Ex tb IIIC Db T95°C Ta -50°C to +70°C





Specification

SPL:	102dB +/-3dB @ 1w @ 1m (Pink) 113dB +/-3dB @ 15w @ 1m (Rated)
Rated power:	15 Watts RMS
70v line tapings:	15w / 7.5w / 3w / 1w (z=336.67 Ohms / 653.33 Ohms / 1.6k Ohms / 4.9k Ohms)
100v line tapings:	15w / 7.5w / 3w / 1w (z=666.87 Ohms / 1.34k Ohms / 3.34k Ohms / 10k Ohms)
Low impedance:	8 Ohm or 16 Ohm
Dispersion:	120° @ 1kHz & 32° @ 4kHz
Frequency range:	400Hz to 8000 Hz
DC Line monitoring:	2.2µF Capacitor (Transformer) 470µF Capacitor (Low impedance)
Ingress protection:	EN60529: IP66/67
Enclosure material:	316L Stainless Steel
Enclosure finish:	Chromated & powder coated
Colour:	RAL3000 Red
Cable entries:	3 x M20 ISO (2 x stopping plugs included as standard) Adaptors to M25, 1/2" & 3/4" NPT can be specified
Terminals:	0.5 - 2.5mm ² (20-14 AWG)
Enclosure volume:	<2 litres
Grounding stud:	M5
Temperature range:	-50° to +70°C (-58°F to +158°F)
Relative humidity:	95% - Additional tropicalisation is recommended for applications where both high relative humidity and high ambient temperatures exist
MTBF V100/V070:	630.69 years / 5,524,861 hours - MIL 217
MTBF R008/R016:	830.22 years / 7,272,727 hours - MIL 217
Weight:	6.25kg/13.75lbs

Part Codes

Version:	Part code: _____	
Product type:	STExL1	
Horn type:	F	Flare re-entrant horn
Type:	V100	100V Line Transformer
	V070	70V Line Transformer
	R008	8 Ohm Low impedance
	R016	16 Ohm Low impedance
Cable Entry Type:	[e]A	3 x M20x1.5mm
	B	2 x 1/2" NPT - adaptors
	C	2 x 3/4" NPT - adaptors
	D	2 x M25x1.5mm - adaptors
	E	1 x 1/2" NPT - adaptor
	F	1 x 3/4" NPT - adaptor
	G	1 x M25x1.5mm - adaptor
Adaptor/Stopping plug material:	[m] B	Brass
	N	Nickel Plated
	S	Stainless Steel (standard)
Bracket material:	1	A4 316 Stainless Steel
[s]	3	A4 316 St/St with Equip. Tag
Product version:	[v]A1	IECEX & ATEX Group II 2G/D Zone 1, 2, 21 & 22
Enclosure colour:	R	Red RAL3000
	[x]	
Accessories:	SP65-0001-A4	Pole Mount Bracket Kit St/St A4 (316)
	SP65-0003-A4	Sunshade - St/St A4 (316)