



VarioSIGN - pre-assembled Signal Tower

Size comparison VarioSIGN/KombiSIGN 72



Signalisation Index

Optical		Audible	
LED Permanent Light	3	Continuous tone	3
LED Blinking Light	3		
LED EVS Light	5		

Your benefits

With the VarioSIGN light effects and colours can be individually set and adjusted via dip-switches at any time - depending on the variant. The eye-catching illumination of the entire lighting body ensures an exceptional appearance and visibility.

- Flexible selection of colours and light effects
- Award-winning design

Typical applications

Fault signalling

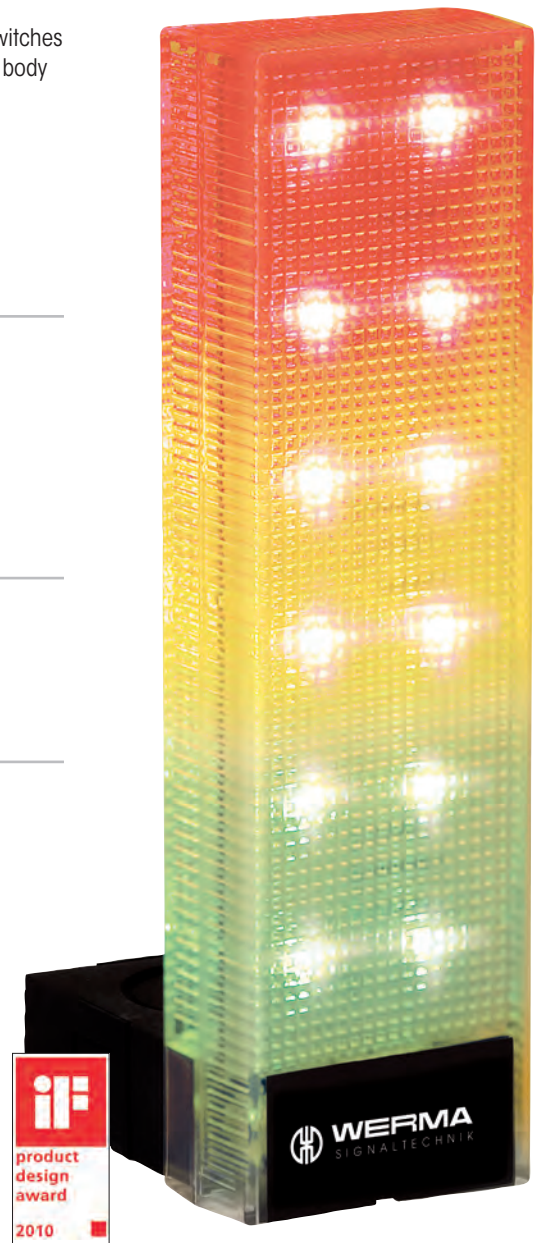
- on machinery and equipment
- on automation systems

Installation options

- Base mounting

Features

- Optional integrated sounder
- Electronic modularity: i.e. colours and light effects are adjustable for each tier





Fixed, three-tier colour distribution in red, yellow and green

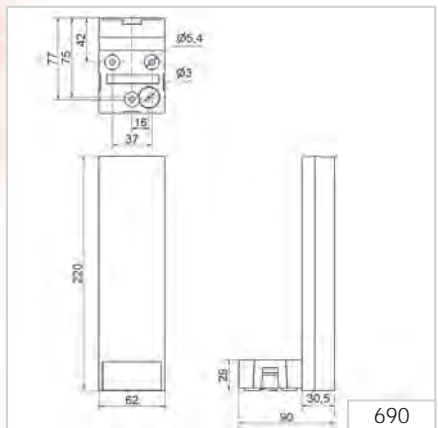


The "EVS" light effect ensures a maximum attention-grabbing effect (single colour distribution can be selected)

i TECHNICAL SPECIFICATIONS/ORDER SPECIFICATIONS:

Dimensions (L x H x W):	62 mm x 220 mm x 90 mm	
Housing:	PC/ABS-Blend, black	
Lens:	PC, transparent	
Fixing:	Base mounting	
Cable entry:	Cable diameter max. 11 mm	
Connection:	Screw terminal max. 1.5 mm ²	
VarioSIGN - red/yellow/green	With buzzer	Without buzzer
Colours:	Pre-set colours (red/yellow/green)	
Voltage:	24 V DC	
Current consumption:	Optical: < 55 mA per tier Buzzer: < 20 mA	
2-sided	690 300 55	690 320 55
VarioSIGN - RGY		
Colours:	Red, yellow, green Colours selectable by Dip-switch	
Voltage:	24 V DC	
Current consumption:	Optical: < 120 mA Buzzer: < 20 mA	
2-sided	690 200 55	690 220 55
VarioSIGN - RGB		
Colours:	Red, yellow, green, white, blue, violet, turquoise Colours selectable by Dip-switch	
Light effects:	Tier-by-tier illumination: Flashing light Complete illumination: EVS	
Voltage:	24 V DC	
Current consumption:	Optical: < 300 mA Buzzer: < 20 mA	
2-sided	690 000 55	-

TECHNICAL DIAGRAM:



690.300.55
690.320.55
690.200.55
690.220.55
690.000.55